



TECHBRITE™

Saving energy in the best possible LIGHT

VaporBrite Strip

Applications

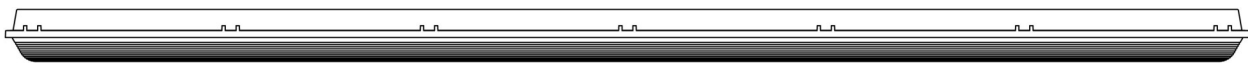
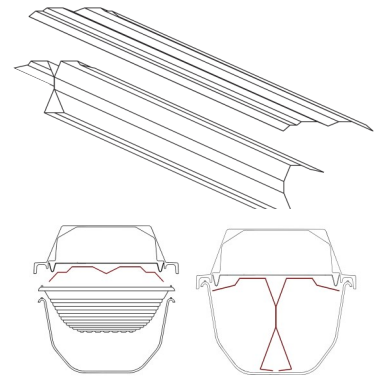
- Food Processing Facilities
- Refrigerated Storage
- Parking Garages
- Breweries and Bottling Facilities
- Livestock Facilities
- Traffic Tunnels
- Exterior Retail Areas



Features

- Designed for tough environments
- Weatherproof enclosures
- T5 or T8
- Lengths of 2', 4', 8'
- Variety of lamp combinations
- Breakage resistant diffusers
- Stainless steel or plastic latches
- Latches adaptable for tamper resistant applications
- Simple mounting system—no holes to drill!

Basic or Wide Distribution Reflectors



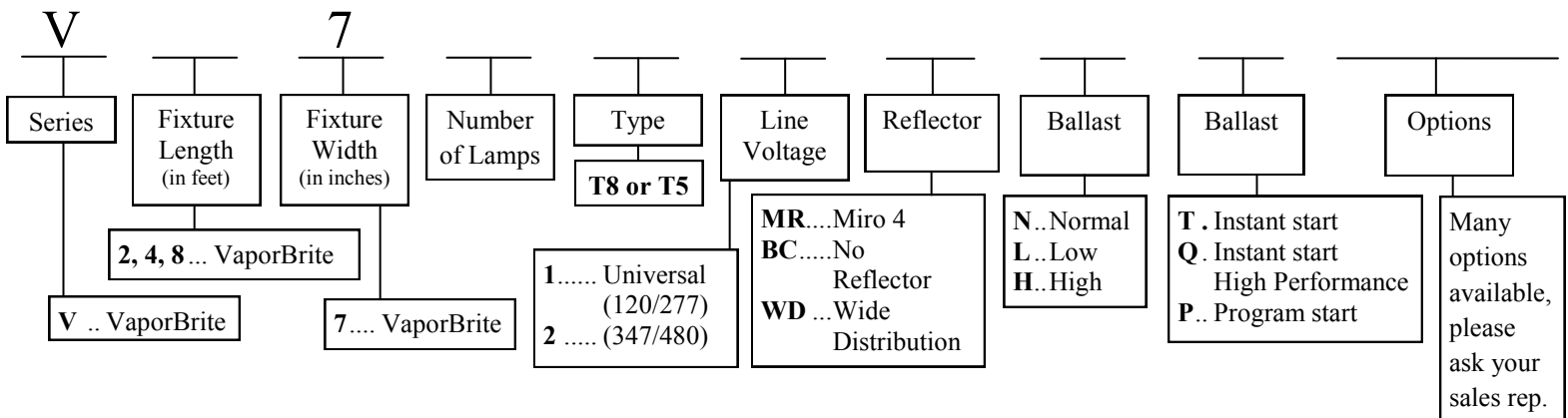
Length: 8 Ft.
6.8" W 100" L 4.4" D



Length: 4 Ft.
6.8" W 51.7" L 4.4"



Length: 2 Ft.
6.8" W 27.7" L 4.4"



270 W. Mitchell Ave., Cincinnati OH 45232

513-772-5070 office

513-252-0590 fax

www.techbrite.com

*Input wattage calculated using ballast manufacturer data in an open-air lamp application.

*Actual fixture wattage may vary based upon a variety of factors including: ballast factor; lamp wattage; input line voltage; ballast manufacturer; and/or environmental temperature.