



TECHBRITE™

Saving energy in the best possible LIGHT

Retro—Strip

Applications

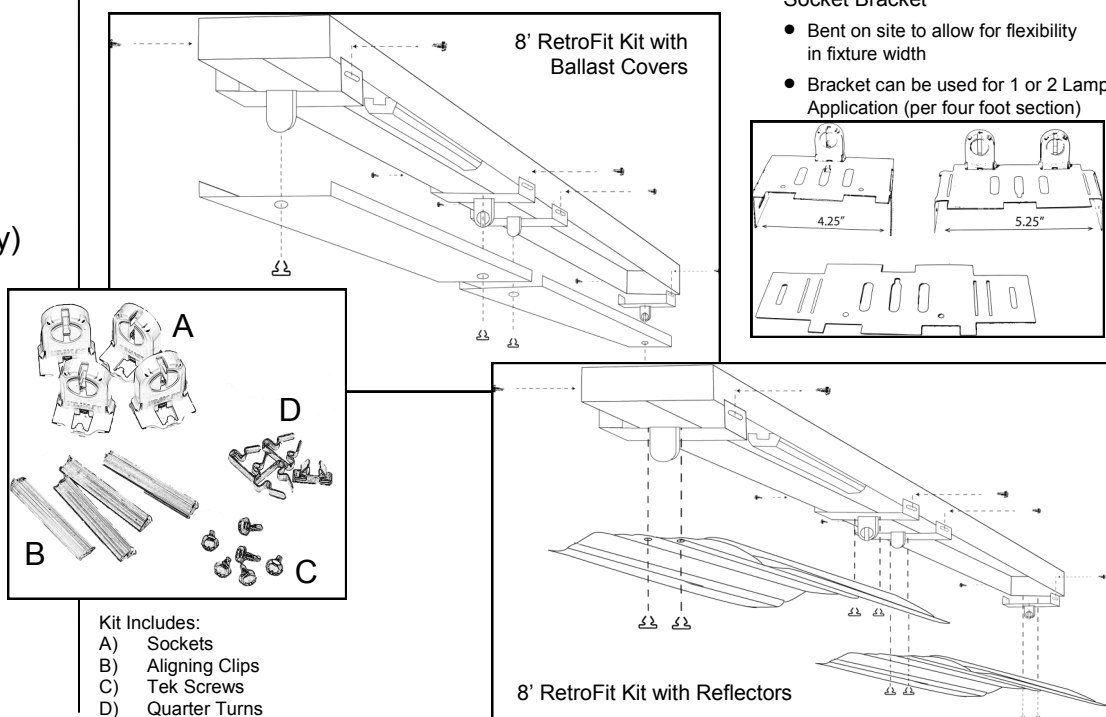
- Warehouses
- Industrial
- Garages
- Retail

Kit Includes

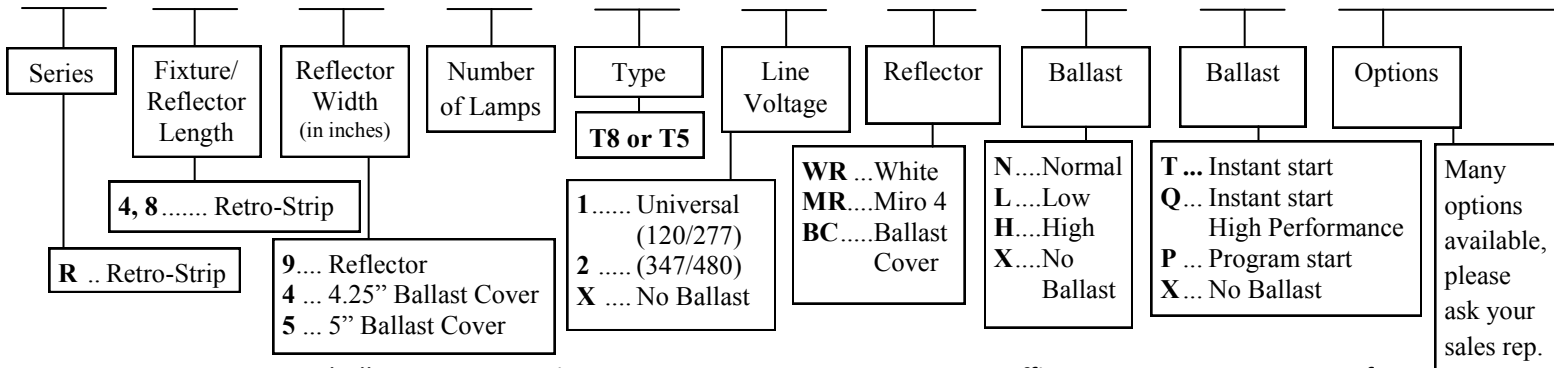
- Tek Screws
- Quarter Turns
- Aligning Clips (Reflector Kit Only)
- Sockets
- Brackets
- Reflectors or Ballast Covers
- Ballast (Optional)

Features

- Easily convert existing fixtures
- Energy & operational savings
- Kits for 4' and 8" fixtures
- T5 or T8
- Improved light levels
- Ballast Cover, White or Miro® 4 reflector
- White Reflector—92% Reflectivity
- Miro® 4 Reflector — 95% Reflectivity
- One piece socket bracket



R



270 W. Mitchell Ave., Cincinnati OH 45232

513-772-5070 office

513-252-0590 fax

www.techbrite.com

*Input wattage calculated using ballast manufacturer data in an open-air lamp application.

*Actual fixture wattage may vary based upon a variety of factors including: ballast factor; lamp wattage; input line voltage; ballast manufacturer; and/or environmental temperature.