

PROJECT NAME:
NOTES:
PART NUMBER:
DATE:

LED LOW BAY



PRODUCT DESCRIPTION:

The TechBrite LED Low Bay is the perfect solution for commercial or industrial applications requiring lower light levels than a high bay. The nominal 2x2 design is compact, yet large enough to allow for a variety of features. High efficiency lumen packages boast 140 LPW. TechBrite's LED Low Bay can be equipped with a multitude of options; such as: Photocell, On/Off Sensors, Gripples, Cords/Plugs, Wire guards, Lens, etc. Designed to replace metal halides, T8, or T5 high bays, the Low Bay is an economical choice for retrofit or new construction. The cost-effective Low Bay will quickly become your "go-to" LED Low Bay.

FEATURES:

- LPW > 140*
- Fully enclosed fixture
- Easy-to-install 2 foot design
- Customize with countless adders
- Same fixture profile as Express Bay
- 0-10v Dimming standard
- Limited warranty: 5 years on luminaire

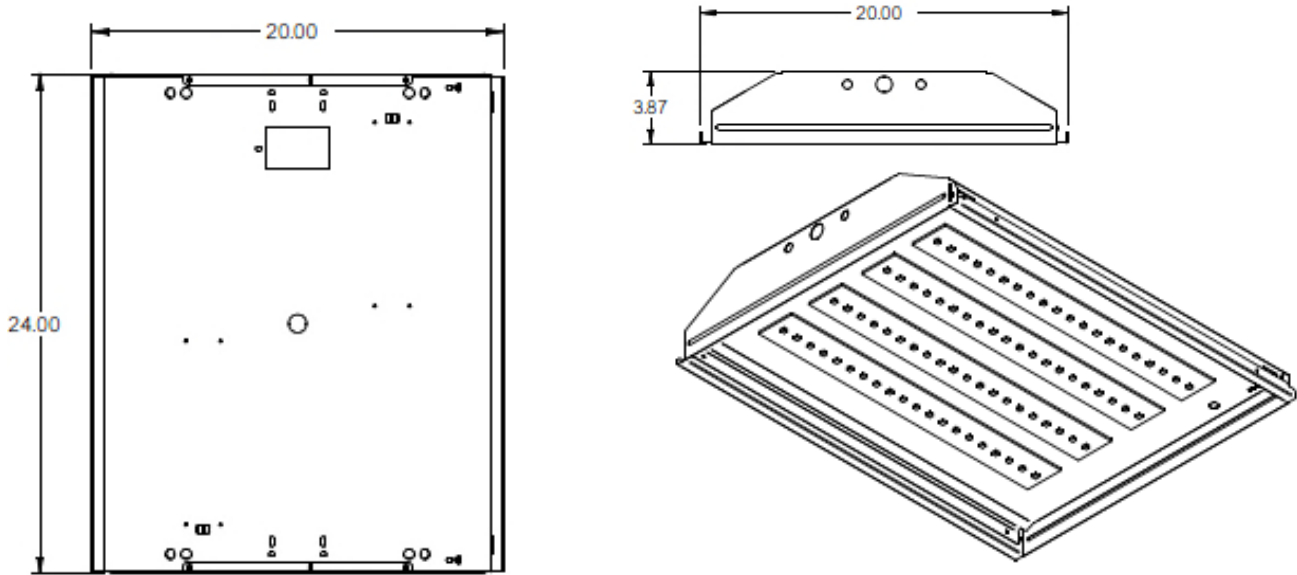
PERFORMANCE SPECIFICATION:

Lumens	7613
Watts	56.6
LPW	138.0
Color	3510
CRI	83.2
L70	L70 @ > 250,000 hrs
L85	L85 @ > 165,000 hrs
Max Ambient Temp	167°F
Min Ambient Temp	-4°F
Dimming	0-10v Dimming to 1%
Driver Voltage	120/277
Chip	Samsung B+ S4
Driver	D15CC55UNVTW-C

- * Actual performance data for LB2204SS1B3A0000
- * UL Verification Services Inc Test # 11937991.06
- * In high efficiency configurations



DIMENSIONS:



FREQUENTLY ORDERED PART NUMBERS:

Part Number	Lumens	Watts	LPW	Color	Description	Dimensions	Weight
LB2204SS1B3A0000	6230	46	138	3500K	LED Low Bay	24.00 x 20.00 x 3.86 (inches)	12.00 (lbs)
LB2204SS1B4A0000	6400	46	141	4000K	LED Low Bay	24.00 x 20.00 x 3.86 (inches)	12.00 (lbs)
LB2204SS1B5A0000	6720	46	148	5000K	LED Low Bay	24.00 x 20.00 x 3.86 (inches)	12.00 (lbs)
LB2204SS1B3B0000	7610	58	133	3500K	LED Low Bay	24.00 x 20.00 x 3.86 (inches)	12.00 (lbs)
LB2204SS1B4B0000	7810	58	137	4000K	LED Low Bay	24.00 x 20.00 x 3.86 (inches)	12.00 (lbs)
LB2204SS1B5B0000	8210	58	143	5000K	LED Low Bay	24.00 x 20.00 x 3.86 (inches)	12.00 (lbs)
LB2204SS1B3C0000	8550	73	112	3500K	LED Low Bay	24.00 x 20.00 x 3.86 (inches)	13.40 (lbs)
LB2204SS1B4C0000	9060	73	121	4000K	LED Low Bay	24.00 x 20.00 x 3.86 (inches)	13.40 (lbs)
LB2204SS1B5C0000	10090	73	140	5000K	LED Low Bay	24.00 x 20.00 x 3.86 (inches)	13.40 (lbs)
LB2204SS1B3D0000	10960	87	128	3500K	LED Low Bay	24.00 x 20.00 x 3.86 (inches)	13.40 (lbs)
LB2204SS1B4D0000	11160	87	130	4000K	LED Low Bay	24.00 x 20.00 x 3.86 (inches)	13.40 (lbs)
LB2204SS1B5D0000	11580	87	134	5000K	LED Low Bay	24.00 x 20.00 x 3.86 (inches)	13.40 (lbs)
LB2204SS1B3E0000	11790	94	128	3500K	LED Low Bay	24.00 x 20.00 x 3.86 (inches)	13.40 (lbs)
LB2204SS1B4E0000	11960	94	128	4000K	LED Low Bay	24.00 x 20.00 x 3.86 (inches)	13.40 (lbs)
LB2204SS1B5E0000	12310	94	132	5000K	LED Low Bay	24.00 x 20.00 x 3.86 (inches)	13.40 (lbs)
LB2204SS1B3F0000	12320	102	122	3500K	LED Low Bay	24.00 x 20.00 x 3.86 (inches)	13.40 (lbs)
LB2204SS1B4F0000	12500	102	123	4000K	LED Low Bay	24.00 x 20.00 x 3.86 (inches)	13.40 (lbs)
LB2204SS1B5F0000	12860	102	126	5000K	LED Low Bay	24.00 x 20.00 x 3.86 (inches)	13.40 (lbs)