

PROJECT NAME:
NOTES:
PART NUMBER:
DATE:

SURFACE WRAP—LED TUBES



PRODUCT DESCRIPTION:

The LED Tube Surface Wrap is an all-purpose fixture for nearly every commercial and industrial application. It features an engineered prismatic lens that both increases the light output and masks the LED tubes delivering an appealing look. For a quick and economic replacement of T12 or T8 wraps, the TechBrite Surface Wrap is the perfect solution.

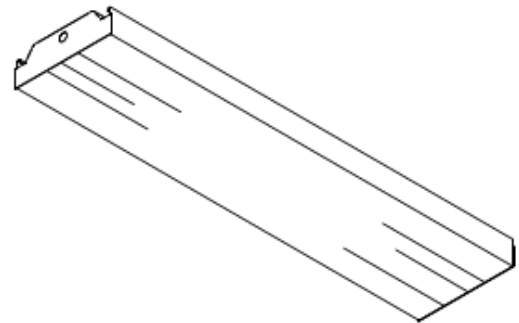
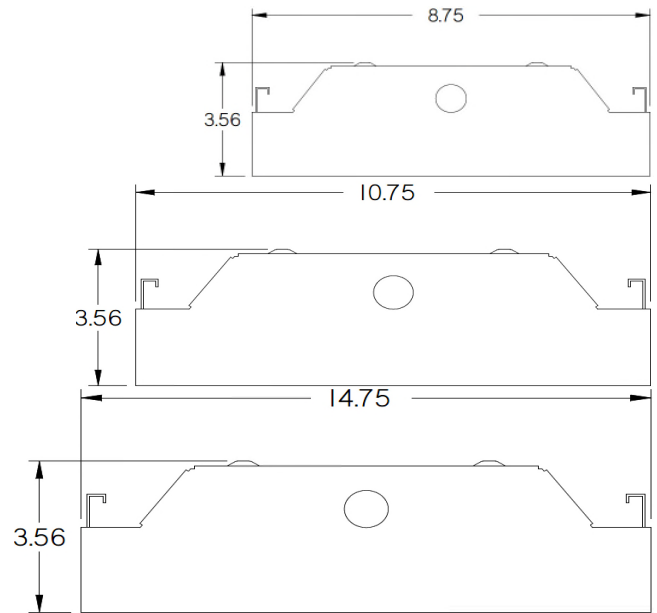
FEATURES:

- Available in 9 and 15 inch widths
- 2 and 4 lamp options
- LED Tubes
- Low-profile, heavy-gauge steel housing
- Clear prismatic lens
- Limited warranty: 5 years on luminaire

PERFORMANCE SPECIFICATION:

Lumens	4 Lamp Max
Watts	88w Max
LPW	See TLED Specification
Color	See TLED Specification
CRI	See TLED Specification
L70	See TLED Specification
L85	See TLED Specification
Max Ambient Temp	See TLED Specification
Min Ambient Temp	See TLED Specification
Dimming	See TLED Specification
Driver Voltage	See TLED Specification
Chip	See TLED Specification
Driver	See TLED Specification

DIMENSIONS:



ORDERING GUIDE:

ADDER:

Series	Length	Width		# of Tubes		Type	Socket Type		Reflector		Wiring		Lamp Type																	
S	Surface Wrap	4	4 Foot	Four Foot		2	2 lamp	SS	LED Tubes	X	Shunted	BCXX	Ballast Cvr	00P0	Prewired	BLANK	Wired single end with unshunted sockets													
				8	8 Foot													9	9"	4	4 lamp									
																		15	15"											
				11	11"																									