

PROJECT NAME:
NOTES:
PART NUMBER:
DATE:

VAPORTITE HIGH BAY — LED TUBES



PRODUCT DESCRIPTION:

The TechBrite LED Tube Vaportite High Bay can take on the toughest environments. Rated IP67, the Vaportite High Bay is designed to minimize the retention of liquids or debris when hosed down. The one-piece fiberglass housing provides a 5VA (f1) FRP UL rating. The impact resistant acrylic is tough enough to withstand most impacts. The LED Tube Vaportite is an ideal replacement for metal halide or T8 fixtures—saving up to 60% in energy usage. The Vaportite High Bay is an ideal solution when you need to protect against the harshest environments.

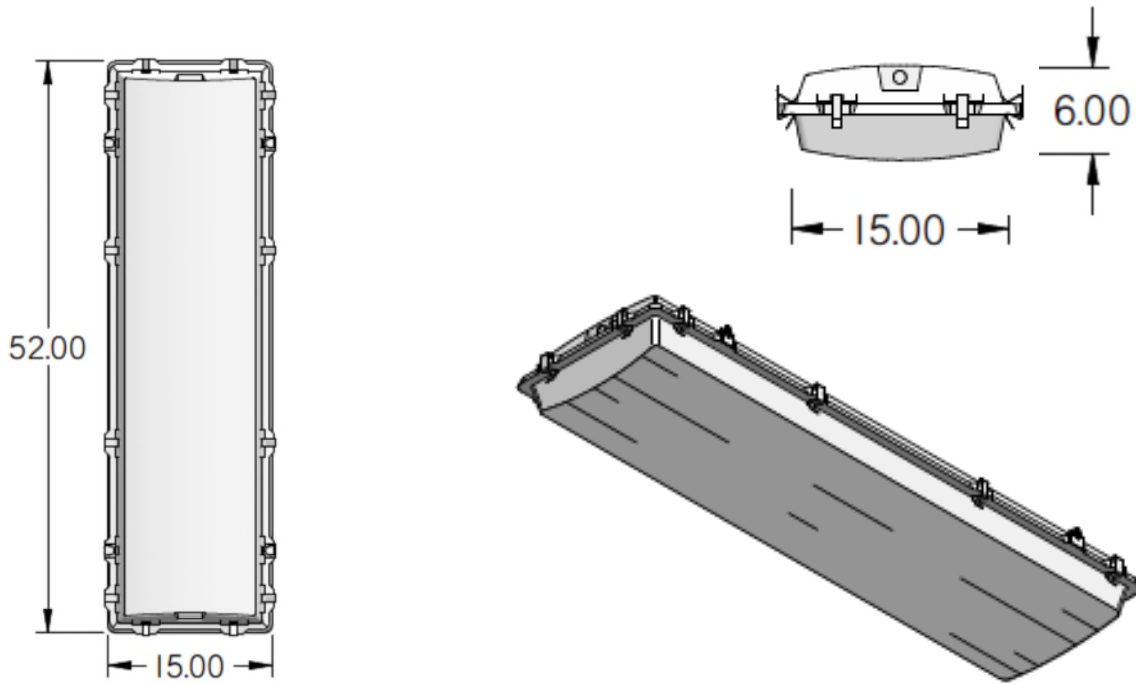
FEATURES:

- Designed for tough environments
- Weatherproof enclosures
- T8 LED tubes
- Easy to clean and service
- Variety of tubes combinations (3, 4, 5, 6)
- Impact resistant lenses
- Stainless steel hardware
- Simple mounting system—no holes to drill!
- Limited warranty: 5 years on luminaire

PERFORMANCE SPECIFICATION:

Lumens	6 Lamp Max
Watts	132w Max
LPW	See TLED Specification
Color	See TLED Specification
CRI	See TLED Specification
L70	See TLED Specification
L85	See TLED Specification
Max Ambient Temp	See TLED Specification
Min Ambient Temp	See TLED Specification
Dimming	See TLED Specification
Driver Voltage	See TLED Specification
Chip	See TLED Specification
Driver	See TLED Specification

DIMENSIONS:



PART NUMBERS & DESCRIPTION: (* INDICATES # OF LAMPS BELOW)

Part Number	Description	Dimensions	Weight
VH4*SSUMRXX00P0	Vaportite High Bay LED—Wired Single End—Unshunted sockets	52.00 x 15.00 x 6.00 (inches)	18.13 (lbs)
VH4*SSUMRXX00P0-WOE	Vaportite High Bay LED—Wired Opposing Ends—Shunted sockets	52.00 x 15.00 x 6.00 (inches)	18.13 (lbs)
VH4*SSUBCXX00P0	Vaportite High Bay LED—Wired Single End—Unshunted sockets	52.00 x 15.00 x 6.00 (inches)	18.13 (lbs)
VH4*SSUBCXX00P0-WOE	Vaportite High Bay LED—Wired Opposing Ends—Shunted sockets	52.00 x 15.00 x 6.00 (inches)	18.13 (lbs)

* Lamp options: 3, 4, 5, 6

ORDERING CHART: EXAMPLE: VH44SSUMRXX00P0

Series	Length	# of	Type	Socket Type	Reflector	Wiring
VH	Vaportite High Bay	4 4 Foot	3 3 lamp	SS LED Tubes	X Shunted	BCXX Ballast Cvr
			4 4 lamp		U Unshunted	MRXX Miro 4
			6 6 lamp			

Lamp Type	
BLANK	Wired single end with unshunted sockets
WOE	Wired opposing ends with shunted sockets