



## APPLICATIONS

- Food Processing & Refrigerated Facilities
- Parking Garages & Traffic Tunnels
- Breweries & Bottling Facilities
- Livestock Facilities
- Exterior Retail Areas

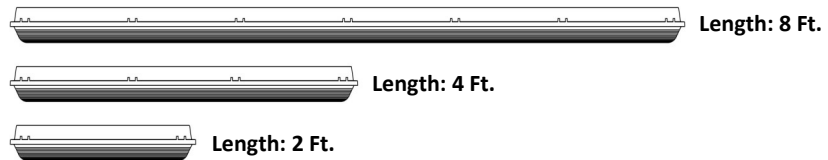
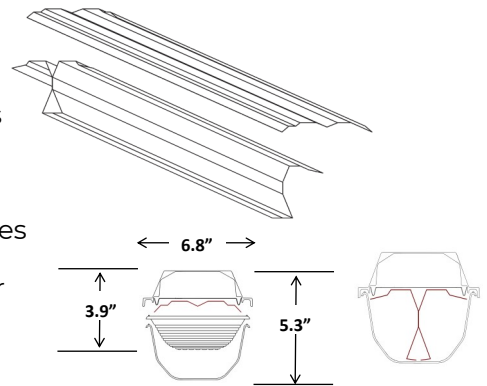
## CERTIFICATIONS

- NSF Component
- UL Wet Location
- NEMA 4X
- IP65/IP66/IP67
- ROHS

## FEATURES

- Designed for tough environments
- Weatherproof enclosures
- T5 or T8
- Lengths of 2', 4', 8'
- Variety of lamp combinations
- Breakage resistant diffusers
- Stainless steel or plastic latches
- Latches adaptable for tamper resistant applications
- Simple mounting system—no holes to drill!

### Basic or Wide Distribution Reflectors



Series		Length		Fixture Width		# of Lamps		Type		Line Voltage		Reflector		Ballast Factor		Ballast Efficiency		Options
V	Vaportite Strip	2	2 Foot	7	7"	Two Foot		T5	Fluorescent	1	Universal (120/277)	MR	Miro 4	L	Low	T	Instant Start	0000
		4	4 Foot			2	2 Lamp	T8	Fluorescent	2	347/480v	BC	Ballast Cover	N	Normal	Q	Instant Start High Performance	
		8	8 Foot			Four Foot						WD	Wide Distribution	H	High	P	Program Start	
						1	1 Lamp											
						2	2 Lamp											
						3	3 Lamp											
						Eight Foot												
						2	2 Lamp											
						4	4 Lamp											
						6	6 Lamp											

\*Input wattage calculated using ballast manufacturer data in an open-air lamp application.

\*Actual fixture wattage may vary based upon a variety of factors including: ballast factor; lamp wattage; input line voltage; ballast manufacturer; and/or environmental temperature.