

PROJECT NAME:
NOTES:
PART NUMBER:
DATE:

LED SHOEBOX-FLOOD FIXTURE



PRODUCT DESCRIPTION:

Need to illuminate large outdoor areas? The TechBrite LED Shoebox-Flood Fixture is the perfect solution. The LED Shoebox-Flood Fixture features advanced designed optics for improved light utilization and evenness. The LED Shoebox-Flood Fixture is an ideal replacement for HID/ metal halide and reduces wattages as much as 75%. With over 100 LPW, the LED Shoebox-Flood Fixture is well suited for many applications: roadways, industrial parking lots, residential areas, sidewalks, walkways, etc. Reduce energy and maintenance costs, while improving the appearance of any outdoor environment, with TechBrite's LED Shoebox-Flood Fixture.

FEATURES:

- Lightweight cast aluminum
- Available in 347/480v
- Available in 4000K & 5000K
- IP66/ Wet location
- Type 3 or Type 5 distribution
- Photocell & PIR sensor available
- Limited warranty: 5 years on luminaire

PERFORMANCE SPECIFICATION:

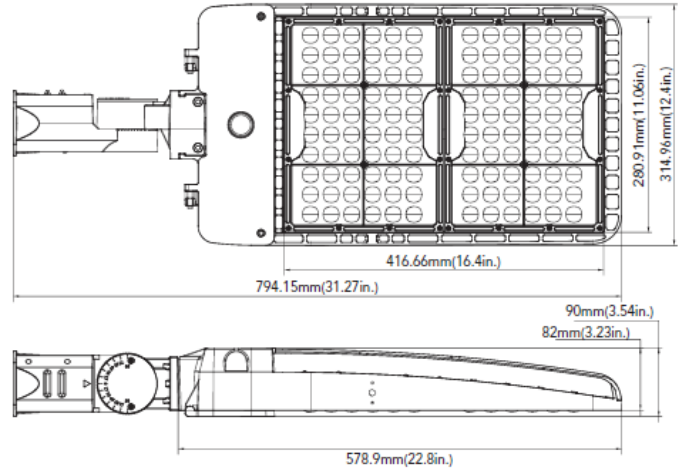
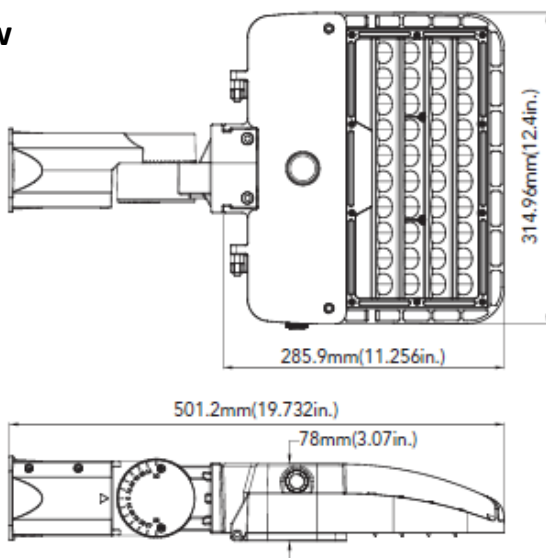
Lumens	9000 / 13000 / 18500 / 33000/ 39000
Watts	70 / 105 / 150 / 250 / 300
LPW	128 / 128 / 123 / 132 / 130
Color*	5000*
CRI	>80
L70	L70 @ > 50,000 hrs
Max Ambient Temp	113° F
Min Ambient Temp	-40° F
Dimming	0-10v
Driver Voltage	120/277 - 347/480
IP Rating	IP66
Distribution Type*	Type III*
Chip	Lumileds

* Performance data: 5000K, Type 3 Distribution, 120/277



DIMENSIONS:

105w



250w & 300w

MOUNTING OPTIONS:



Straight Arm Mount

4" and 5" Square & Round Poles



Slip Fitter



Wall Mount

J Box & 1/2" Conduit



Trunnion Mount

70w & 105w & 150w & 200w



Trunnion Mount

250w & 300w

FREQUENTLY ORDERED PART NUMBERS:

(5000K, DARK BRONZE, TYPE 3 DISTRIBUTION, SLIP FITTER MOUNT— SEE ADDERS BELOW)

Part Number	Lumens	Watts	LPW	Volt	Color	Description	Dimensions	Weight
TB-SB70W2750KDSPT3-M	9000	70	128	120-277	5000K	LED Shoebox/ Slipfitter / Type 3	46x36.5x12cm	11 LBS
TB-SB105W2750KDSPT3-M	13000	105	123	120-277	5000K	LED Shoebox/ Slipfitter / Type 3	46x36.5x12cm	11 LBS
TB-SB110W4850KDSPT3-M	13000	110	118	347-480	5000K	LED Shoebox/ Slipfitter / Type 3	46x36.5x12cm	11 LBS
TB-SB150W2750KDSPT3-M	18500	150	123	120-277	5000K	LED Shoebox/ Slipfitter / Type 3	54x36x12cm	16 LBS
TB-SB150W4850KDSPT3-M	19000	150	126	347-480	5000K	LED Shoebox/ Slipfitter / Type 3	54x36x12cm	16 LBS
TB-SB250W2750KDSPT3-M	33000	250	132	120-277	5000K	LED Shoebox/ Slipfitter / Type 3	54x36x12cm	27LBS
TB-SB250W4850KDSPT3-M	33000	250	132	347-480	5000K	LED Shoebox/ Slipfitter / Type 3	54x36x12cm	27LBS
TB-SB300W2750KDSPT3-M	39000	300	130	120-277	5000K	LED Shoebox/ Slipfitter / Type 3	54x36x12cm	27 LBS
TB-SB300W4850KDSPT3-M	39000	300	130	347-480	5000K	LED Shoebox/ Slipfitter / Type 3	54x36x12cm	27 LBS

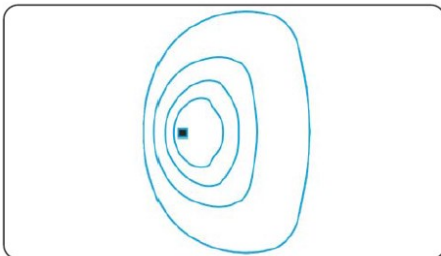
ORDERING CHART: EXAMPLE: TB-SB150W27V40KDP0SPT3

Fixture Type		Wattage		Voltage		CCT		Finish		Photocell (Optional)		Sensor (Option)		Mounting		Distribution Type		Surge Protection (Option)	
TB-SB	Shoebox/ Flood	70W	9000 LM	27V	120-277v	40K	4000K	D	Dark Bronze	P0	120-277v	M	120-277v	SQ	Square/ Round Pole Mount	T3	Type 3	S	Surge Protection
		105W	13000 LM	48V	347-480v	50K	5000K	B	Black	P3	347v	M4	347-480v	SP	Slipfitter Mount	T4	Type 4	Blank	No Surge Protection
		150W	18500 LM					W	White	P4	480v	Blank	No Sensor	WM	Wall Mount	T5	Type 5		
		200W	24000 LM							Blank	No Photocell			TR	Trunnion/ Yoke				
		250W	33000 LM																
		300W	39000 LM																

PHOTOMETRICS:

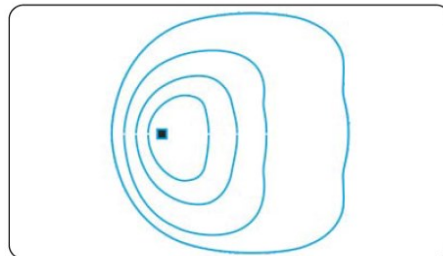
Type 3:

Type 3 optics produce an asymmetrical pattern that directs the majority of the light forward and equally on both sides of the luminaire. In a back-to-back configuration, it creates



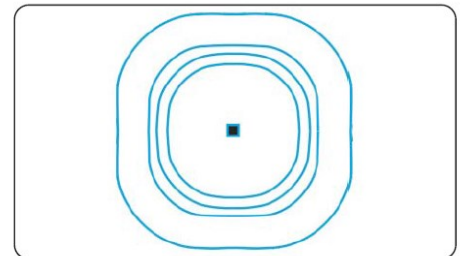
Type 4:

Type 4 is suitable for applications where light is primarily required forward, and minimal backlight is desired. Typical installations include perimeter poles.

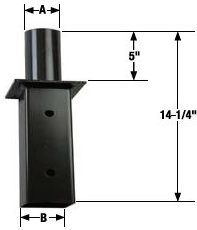


Type 5:

Type 5 optics produce a symmetrical square pattern that distributes light equally on all sides of the luminaire.



60 watt replaces 250 watt HID
100 watt replaces 400 watt HID
250/300 watt replaces 1000 watt HID

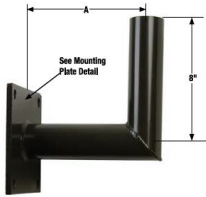


RTASQ4-2DB & RTASQ5-2DB

Tenon Reducer

Internal Tenon Adapter for Square Pole
Available for 4" or 5" Square Pole
Shipped with mounting hardware assembled
Dark Bronze

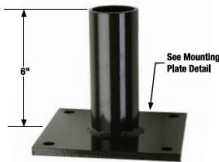
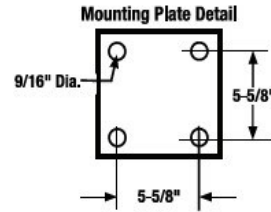
Consult Factory for Custom Pole Pricing



RABH-DB

Wall Mount 90° Bracket

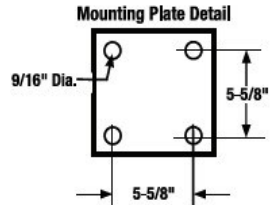
For use with Slip Fitter
Mounting Hardware Not Included
9/16" Diameter Mounting Holes
7" Square Mount Plate
Dark Bronze



VT2-6

Surface Mount Tenon

Mounting Hardware Not Included
9/16" Diameter Mounting Holes
7" Square Mount Plate
Dark Bronze



Bull Horn Bracket—2 and 3 Light

Shipped with Removable Cap (2L) and Mounting Hardware Assembled
Pole Top Mounting
Dark Bronze

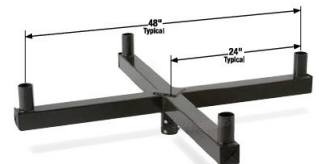


S3-S30-2DB



Round Square Round Bracket—2, 3, and 4 Light

Mounting Hardware Assembled
Pole Top Mounting
Dark Bronze



RSR-T4-2DB