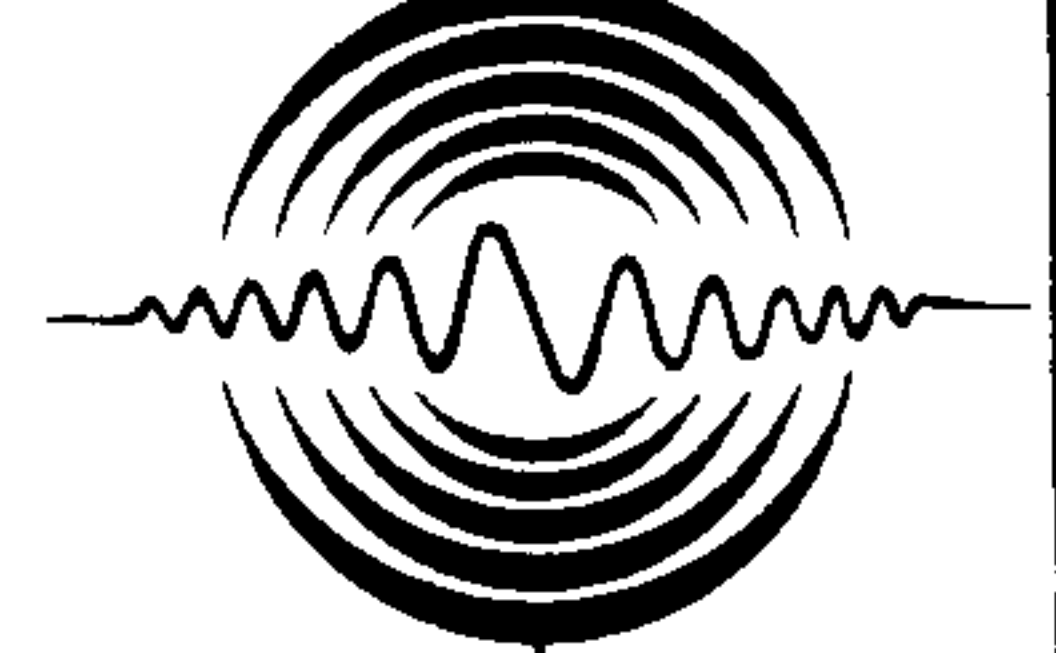


BUILDING ACOUSTICS & LIGHTING LABORATORIES, INC.

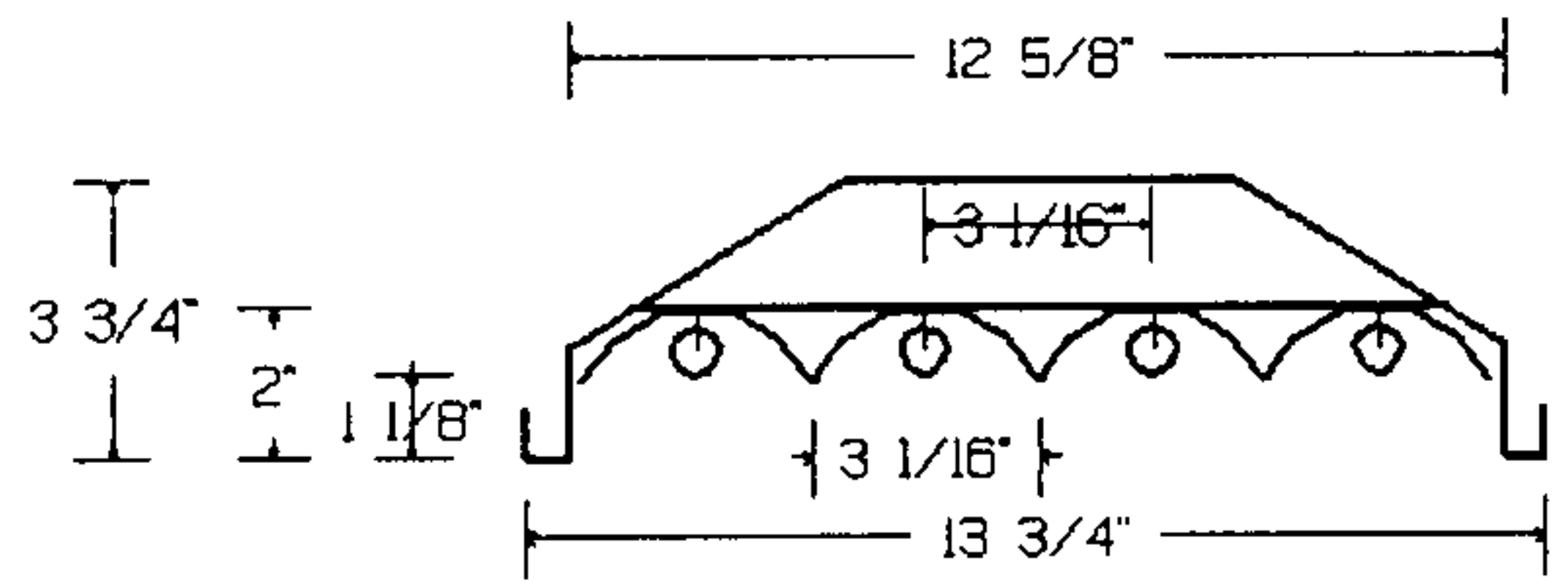
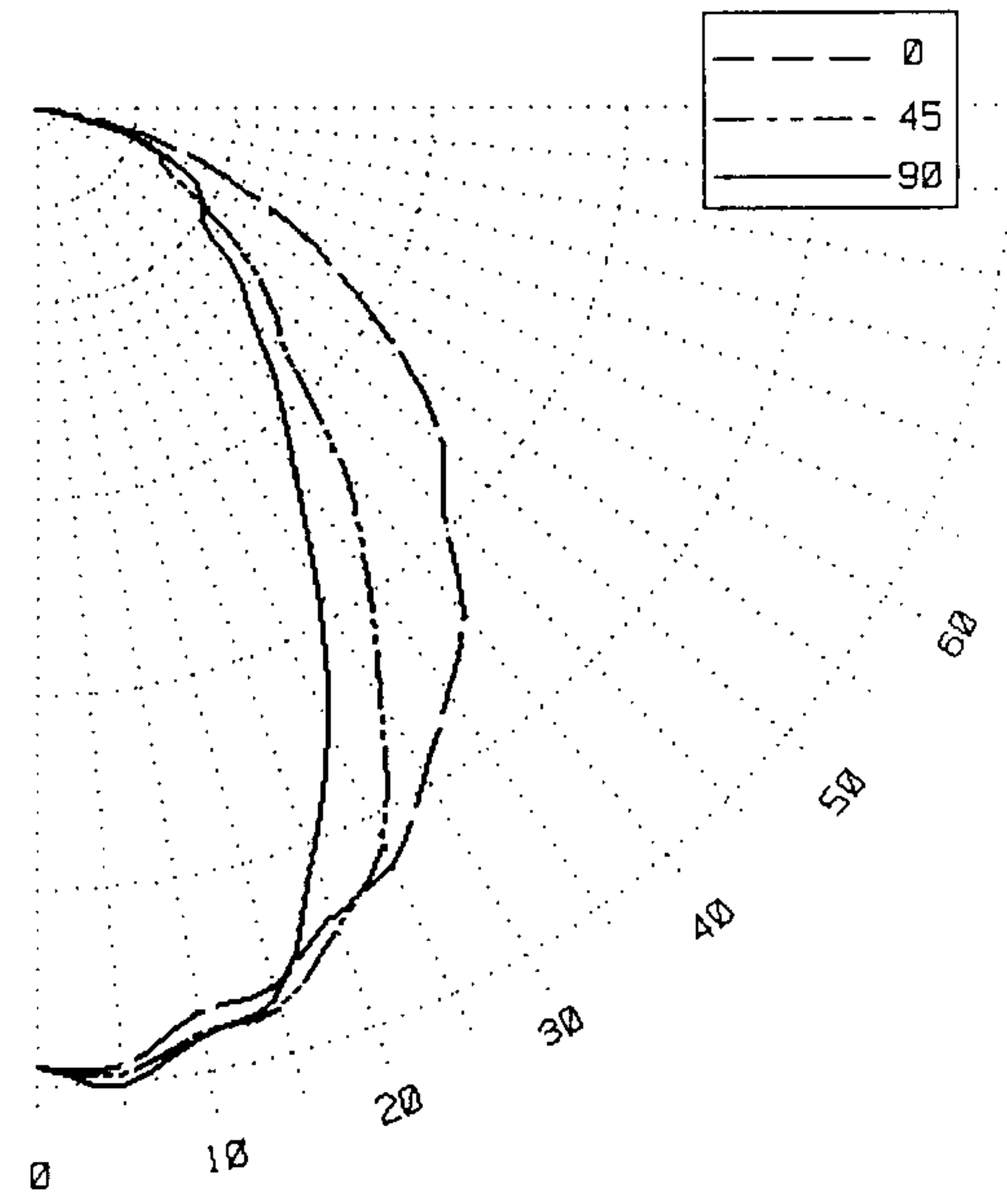
1618 HEADLAND DR.
 FENTON, MO 63026
 (636) - 343-6006
 (636) - 343-6051 FAX



BALLABS CERTIFIED TEST REPORT NO.: 15684.0 DATE 08/16/10
 PREPARED FOR: TECHBRITE - CINCINNATI, OH
 DESCRIPTION: 4/54W T5HO LAMP 4'HIGHBAY TROFFER LUMINAIRE
 MIRO4 FORMED ALUMINUM REFLECTOR w/OPEN BOTTOM
 GE BALLASTS #GE454MVPS90-G WATTS=223
 CATALOG NBR: B4144T5MRHT0000
 LAMP TYPE : FP54T5HO/835 RATED LUMENS 5000. NBR. LAMPS:- 4

CANDLEPOWER DISTRIBUTION

VERT ANG	HORIZONTAL ANGLE					ZONAL LUMENS
	0	22.5	45	67.5	90	
0	9345.	9345.	9345.	9345.	9345.	
5	9352.	9366.	9434.	9509.	9536.	900.9
10	8944.	9018.	9133.	9161.	9161.	
15	8857.	9027.	9087.	9047.	8972.	2556.6
20	8376.	8566.	8519.	8052.	7794.	
25	8153.	8356.	7936.	7043.	6690.	3559.0
30	7537.	7706.	6670.	5735.	5424.	
35	6968.	7063.	5586.	4672.	4340.	3608.2
40	6446.	6311.	4611.	3744.	3636.	
45	5580.	5105.	3406.	3040.	2932.	3060.5
50	5133.	4313.	2932.	2675.	2539.	
55	4374.	3351.	2397.	2045.	1970.	2459.4
60	3493.	2384.	1788.	1726.	1855.	
65	2735.	1652.	1347.	1639.	1672.	1697.7
70	1950.	1158.	1260.	1286.	1266.	
75	1218.	690.	894.	852.	779.	908.4
80	588.	487.	413.	324.	311.	
85	142.	149.	129.	142.	149.	154.1
90	0.	0.	0.	0.	0.	



[Handwritten signature]

LUMEN SUMMARY

ZONE	LUMENS	%LAMP	%FIXT	ZONE	LUMENS	%LAMP	%FIXT
0- 30	7017.	35.1	37.1	90-120	0.	.0	.0
0- 40	10625.	53.1	56.2	90-130	0.	.0	.0
0- 60	16145.	80.7	85.4	90-150	0.	.0	.0
0- 90	18905.	94.5	100.0	90-180	0.	.0	.0
TOTAL LUMINAIRE = 0-180					18905.	94.5	100.0

IES SPACING CRITERIA: END= 1.2 DIAGONAL = 1.1 CROSS= 1.0

SIGNIFICANCE OF THE TEST IS LIMITED TO THE DEGREE THAT THE TESTED SAMPLE IS REPRESENTATIVE. OTHER FACTORS AFFECT FIELD PERFORMANCE.

BALLABS CERTIFIED TEST REPORT NO.: 15684.0 DATE 08/16/10
 PREPARED FOR: TECHBRITE - CINCINNATI, OH
 DESCRIPTION: 4/54W T5HO LAMP 4'HIGHBAY TROFFER LUMINAIRE
 MIRO4 FORMED ALUMINUM REFLECTOR w/OPEN BOTTOM
 GE BALLASTS #GE454MVPS90-G WATTS=223

CATALOG NBR: B4144T5MRHT0000
 LAMP TYPE : FP54T5HO/835 RATED LUMENS 5000. NBR. LAMPS:- 4

LUMINANCES-CD/SQ-M
 HORIZONTAL ANGLE

VERT ANGLE	0	45	90
45	20277.	12378.	10655.
55	19595.	10740.	8826.
65	16630.	8190.	10169.
75	12095.	8874.	7730.
85	4189.	3793.	4387.

MAXIMUM BRIGHTNESSES NOT MEASURED

ZONAL CAVITY COEFFICIENTS OF UTILIZATION

EFFECTIVE FLOOR CAVITY REFLECTANCE=.20

CEILING	.80				.70				.50				.30				.10				.00													
WALL	.70	.50	.30	.10	.70	.50	.30	.10	.50	.30	.10	.50	.30	.10	.50	.30	.10	.50	.30	.10	.50	.30	.10	.50	.30	.10	.50	.30	.10	.50	.30	.10		
RCR																																		
0	1.13	1.13	1.13	1.13	1.10	1.10	1.10	1.10	1.05	1.05	1.05	1.01	1.01	1.01	.96	.96	.96	.95																
1	1.05	1.01	.98	.95	1.02	.99	.96	.93	.95	.93	.90	.91	.89	.88	.88	.87	.85	.83																
2	.97	.90	.85	.80	.95	.89	.84	.80	.86	.81	.78	.83	.79	.76	.80	.77	.74	.73																
3	.90	.81	.75	.70	.88	.80	.74	.69	.77	.72	.68	.75	.70	.67	.73	.69	.66	.64																
4	.83	.73	.66	.61	.81	.72	.65	.60	.70	.64	.59	.68	.63	.59	.66	.62	.58	.56																
5	.77	.66	.58	.53	.75	.65	.58	.52	.63	.57	.52	.61	.56	.51	.59	.55	.51	.49																
6	.71	.60	.52	.47	.69	.59	.52	.47	.57	.51	.46	.56	.50	.46	.54	.49	.45	.44																
7	.66	.54	.47	.41	.64	.54	.46	.41	.52	.46	.41	.51	.45	.41	.50	.44	.40	.39																
8	.61	.49	.42	.37	.60	.49	.41	.37	.47	.41	.36	.46	.40	.36	.45	.40	.36	.34																
9	.57	.45	.37	.32	.55	.44	.37	.32	.43	.37	.32	.42	.36	.32	.41	.36	.32	.30																
10	.53	.41	.34	.29	.52	.40	.33	.29	.39	.33	.29	.38	.33	.29	.38	.32	.28	.27																

TESTED IN ACCORDANCE WITH CURRENT IES PROCEDURES