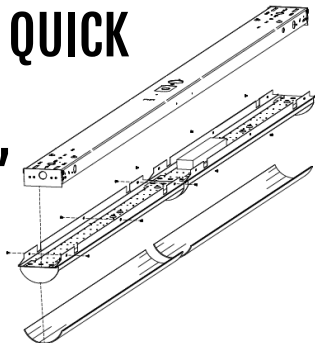




LED GEN 2 QUICK STRIP RETRO—8'



PRODUCT DESCRIPTION:

The LED Quick Strip Retro is an economical way to improve the look of any commercial space. Retrofitting is “Quick” with the boards and drivers factory installed on the retro-fit kit. Just connect the power to the factory provided disconnect and install. The LED Quick Strip Retro is the superior choice for spaces requiring an economical and aesthetically pleasing fixture.

FEATURES:

- Mounts directly to side of existing fixture
- 0-10v Dimming standard
- Available with and without a lens
- Expandable to multiple fixture widths—4.25” to 5.187”
- Limited warranty: 5 years on luminaire

APPLICATIONS:

- Warehouses
- Industrial
- Garage
- Retail
- Any Existing Strip

ORDER GUIDE:

Series	Length	Width	Type	Line Voltage	Reflector	Color Temp	Lumens/ Watts/ LPW	Options	Gen 2								
QSR	Quick Strip Retro	8	8 Foot	4	4.5"	SS	LED	1	Universal (120/277)	B	Ballast/ Driver Cover	50	5000K	8FT Fixture 5000K w/ lens		L000 (lens) 0000 (no lens) Please see Accessories Guide in front of catalog	G2
												40	4000K	A	5810LM/ 36W/ 161LPW		
												35	3500K	B	7110LM/ 44W/ 161LPW		
												30	3000K	C	9590LM/ 63W/ 152LPW		
														D	11260LM/ 74W/ 152LPW		
														E	13340LM/ 88W/ 151LPW		