

PROJECT NAME:
NOTES:
PART NUMBER:
DATE:

LED AREA LIGHT— SELECTABLE



PRODUCT DESCRIPTION:

Need to illuminate large outdoor areas? The TechBrite LED Area Light Fixture is the perfect solution. The LED Area Light Fixture features advanced designed optics for improved light utilization and evenness. The LED Area Light Fixture is an ideal replacement for HID/ metal halide and reduces wattages as much as 75%. With over 100 LPW, the LED Area Light Fixture is well suited for many applications: roadways, industrial parking lots, residential areas, sidewalks, walkways, etc. Reduce energy and maintenance costs, while improving the appearance of any outdoor environment, with TechBrite's LED Area Light Fixture.



FEATURES:

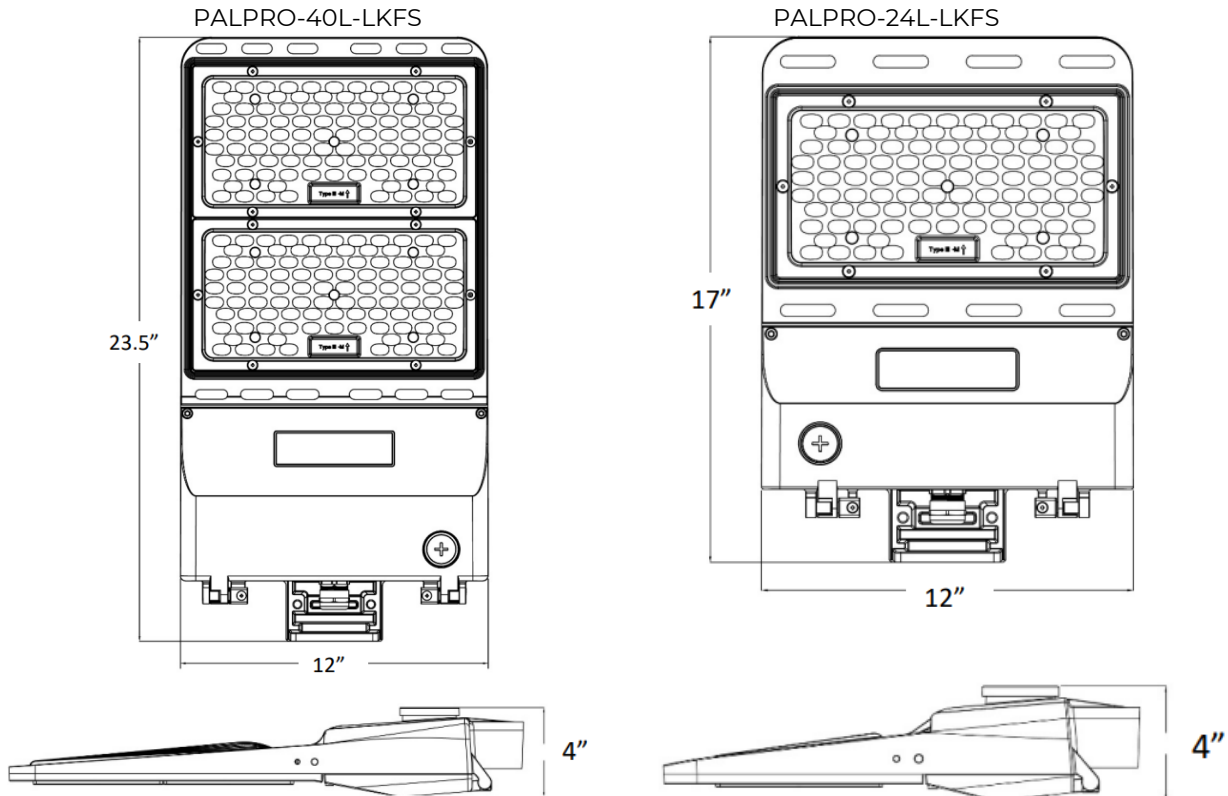
- Field Selectable CCT & Wattage
- 6kV Input Surge
- Available in 277/480v
- IP65/ Wet location
- 6 Foot Incoming Power Cord
- DLC Listed Type 3 or Type 5 Distribution
- Photocell & PIR Sensor Available
- Polycarbonate Lens
- Limited Warranty: 5 Years on Luminaire

ORDERING CHART:

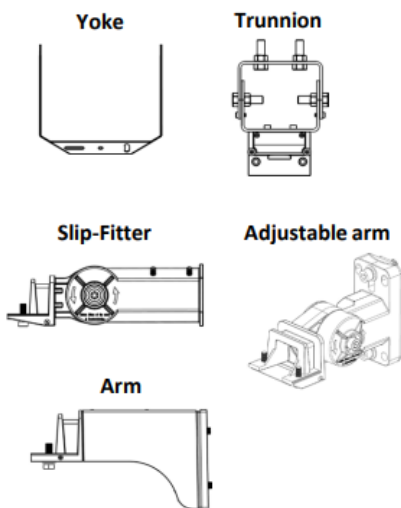
Series		Nominal Lumen Output		CCT		Distribution Type		Voltage		Photocell (Optional)		Mounting (Required—Sold Separately)	
MPALPRO	Area Light	24L	24,000/ 20,000/ 14,000 187/ 152/ 102 W	LKFS	3000K/ 4000K/ 5000K	T3	Type 3	Blank	120-277v	Blank	No Photocell	MPAL-ARM	Arm Mount
		40L	40,000/ 34,000/ 28,000 303/ 247/ 204 W			T5	Type 5	UNC	277-480v	P	3-pin NEMA Photocell Receptacle	MPAL-ARM-A	Adjustable Arm Mount
												MPAL-SF	Slip-fitter Mount
												MPAL-TM	Trunnion Mount
												MPALPRO-YM	Yoke Mount

SAMPLE PART NUMBER: MPALPRO-40L-T3-P-MPAL-ARM-A

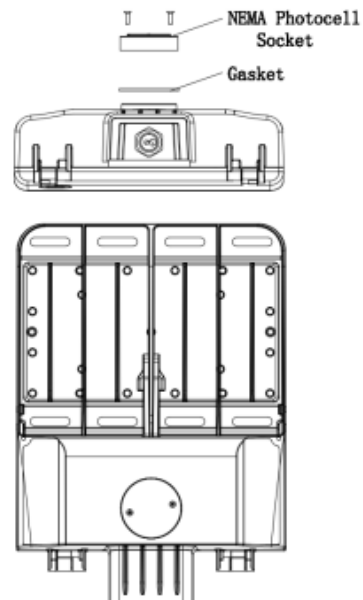
DIMENSIONS:



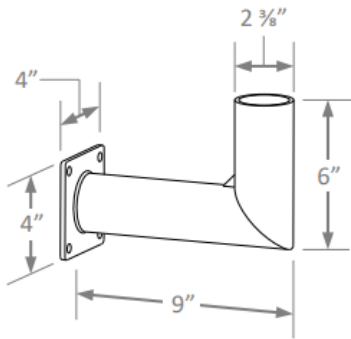
MOUNTING OPTIONS:



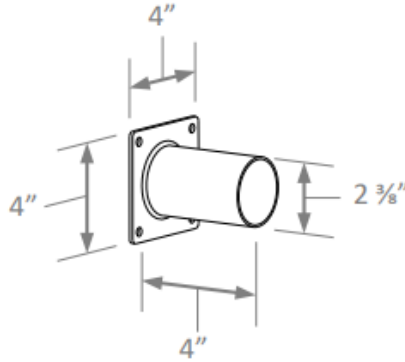
NEMA PHOTOCELL:



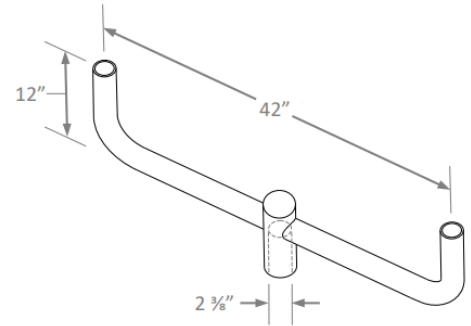
MOUNTING ACCESSORIES:



Wall Mount Bracket
LEDMPALPRO-WMB

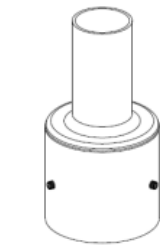


Wall Mount Bracket, 90°
LEDMPALPRO-WMB90

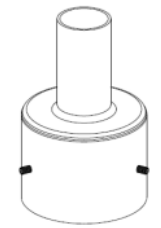


Double 180° Bullhorn Mounting Bracket
LEDMPALPRO-D180BH
(Bullhorn requires slip-fitter mount)

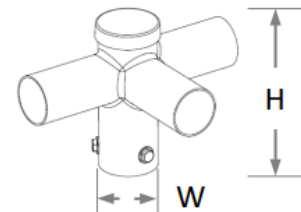
Part Number	Description	L	W	H
4SQR-SP-D	4" round pole tenon	-	4.2"	8.6"
5SQR-SP-D	5" round pole tenon	-	5.2"	8.6"
4SQ-SP-D	4" square pole tenon	3.6"	3.6"	7.2"
5SQ-SP-D	5" square pole tenon	4.6"	4.6"	7.2"
R60-SP2-90-D	Tenon adapter 90° double	-	ID 2.5"	7.3"
R60-SP2-180-D	Tenon adapter 180° double	-	ID 2.5"	7.3"
R60-SP3-90-D	Tenon adapter 90° triple	-	ID 2.5"	7.3"
R60-SP3-120-D	Tenon adapter 180° triple	-	ID 2.5"	7.3"
R60-SP4-90-D	Tenon adapter 90° quadruple	-	ID 2.5"	7.3"



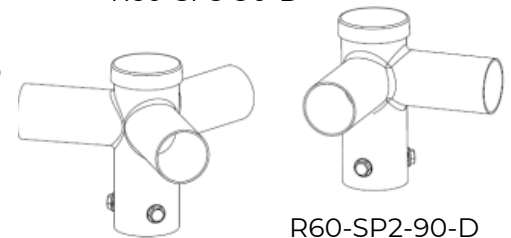
4SQR-SP-D



5SQR-SP-D

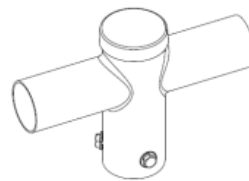


R60-SP3-90-D

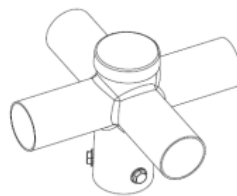


R60-SP2-90-D

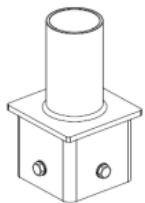
R60-SP3-120-D



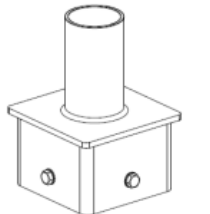
R60-SP2-180-D



R60-SP4-90-D



4SQ-SP-D



5SQ-SP-D

PERFORMANCE SPECIFICATION:

Dimensions	23.5" x 12" x 4"
Weight	11 lbs
CRI	>80
L70	L70 @ > 162,000 hrs
Max Ambient Temp	122° F
Min Ambient Temp	-40° F
Dimming	0-10v
IP Rating	IP65
Input Surge	6kV
Power Factor	>.90

*Actual Performance data for MPALPRO-24L-LKFTS-T3

FREQUENTLY ORDERED PART NUMBERS:

Part Number	Lumens	Watts	LPW	Volt	Color	Description	Dimensions	Weight
MPALPRO-24L-LKFS-T3	24,601	187	131	120-277	5000K	Area Light PRO - LKFS 24L 5K T3	23.5" x 12" x 4"	11 lbs
MPALPRO-24L-LKFS-T5	25,157	187	135	120-277	5000K	Area Light PRO - LKFS 24L 5K T5	23.5" x 12" x 4"	11 lbs
MPALPRO-40L-LKFS-T3	41,239	302	136	120-277	5000K	Area Light PRO - LKFS 40L 5K T3	17" x 12" x 4"	16 lbs
MPALPRO-40L-LKFS-T5	41,980	302	139	120-277	5000K	Area Light PRO - LKFS 40L 5K T5	17" x 12" x 4"	16 lbs
MPALPRO-24L-LKFS-T3-UNC	24,925	192	129	277-480	5000K	Area Light PRO - LKFS 24L 5K T3	23.5" x 12" x 4"	11 lbs
MPALPRO-24L-LKFS-T5-UNC	25,382	193	131	277-480	5000K	Area Light PRO - LKFS 24L 5K T5	23.5" x 12" x 4"	11 lbs
MPALPRO-40L-LKFS-T3-UNC	40,963	296	138	277-480	5000K	Area Light PRO - LKFS 24L 5K T3	17" x 12" x 4"	16 lbs
MPALPRO-40L-LKFS-T5-UNC	41,651	299	139	277-480	5000K	Area Light PRO - LKFS 24L 5K T5	17" x 12" x 4"	16 lbs

ELECTRICAL DATA:

	MPALPRO-24L-LKFS-T3								
	Low Lumens			Mid Lumens			High Lumens		
	3000K	4000K	5000K	3000K	4000K	5000K	3000K	4000K	5000K
Lumens	14,649	16,173	15,115	20,273	22,824	20,939	24,056	26,598	24,591
Watts	101	100	102	150	146	152	186	178	187
Efficacy	145	162	148	135	156	138	130	150	131
Input Current (A)	120V = 0.84A	120V = 0.83A	120V = 0.85A	120V = 1.25A	120V = 1.22A	120V = 1.27A	120V = 1.55A	120V = 1.48A	120V = 1.56A
	240V = 0.42A	240V = 0.42A	240V = 0.43A	240V = 0.63A	240V = 0.61A	240V = 0.63A	240V = 0.78A	240V = 0.74A	240V = 0.78A
	277V = 0.36A	277V = 0.36A	277V = 0.37A	277V = 0.54A	277V = 0.53A	277V = 0.55A	277V = 0.67A	277V = 0.64A	277V = 0.68A

	MPALPRO-24L-LKFS-T5								
	Low Lumens			Mid Lumens			High Lumens		
	3000K	4000K	5000K	3000K	4000K	5000K	3000K	4000K	5000K
Lumens	15,049	16,748	15,656	20,616	23,398	21,498	24,156	26,788	25,153
Watts	101	100	102	150	145	151	186	178	187
Efficacy	149	167	0=154	137	161	142	130	150	134
Input Current (A)	120V = 0.84A	120V = 0.83A	120V = 0.85A	120V = 1.25A	120V = 1.21A	120V = 1.26A	120V = 1.55A	120V = 1.48A	120V = 1.56A
	240V = 0.42A	240V = 0.42A	240V = 0.43A	240V = 0.63A	240V = 0.60A	240V = 0.63A	240V = 0.78A	240V = 0.74A	240V = 0.78A
	277V = 0.36A	277V = 0.36A	277V = 0.37A	277V = 0.54A	277V = 0.52A	277V = 0.55A	277V = 0.67A	277V = 0.64A	277V = 0.68A

	MPALPRO-40L-LKFS-T3								
	Low Lumens			Mid Lumens			High Lumens		
	3000K	4000K	5000K	3000K	4000K	5000K	3000K	4000K	5000K
Lumens	28,924	32,211	30,104	33,874	37,248	35,140	40,091	44,173	41,188
Watts	204	198	204	248	232	247	303	284	303
Efficacy	142	163	148	137	160	142	132	156	136
Input Current (A)	120V = 1.70A	120V = 1.65A	120V = 1.70A	120V = 2.07A	120V = 1.93A	120V = 2.06A	120V = 2.53A	120V = 2.37A	120V = 2.53A
	240V = 0.85A	240V = 0.82A	240V = 0.85A	240V = 0.97A	240V = 0.97A	240V = 1.03A	240V = 1.26A	240V = 1.18A	240V = 1.26A
	277V = 0.74A	277V = 0.71A	277V = 0.74A	277V = 0.84A	277V = 0.84A	277V = 0.89A	277V = 1.09A	277V = 1.03A	277V = 1.09A

	MPALPRO-40L-LKFS-T5								
	Low Lumens			Mid Lumens			High Lumens		
	3000K	4000K	5000K	3000K	4000K	5000K	3000K	4000K	5000K
Lumens	29,447	33,006	30,873	34,329	37,862	35,862	39,723	44,079	41,462
Watts	204	197	203	247	231	246	298	283	297
Efficacy	144	168	152	139	164	146	133	156	140
Input Current (A)	120V = 1.70A	120V = 1.64A	120V = 1.69A	120V = 2.06A	120V = 1.93A	120V = 2.05A	120V = 2.48A	120V = 2.36A	120V = 2.48A
	240V = 0.85A	240V = 0.82A	240V = 0.85A	240V = 1.03A	240V = 0.96A	240V = 1.03A	240V = 1.24A	240V = 1.18A	240V = 1.24A
	277V = 0.74A	277V = 0.71A	277V = 0.73A	277V = 0.89A	277V = 0.83A	277V = 0.89A	277V = 1.08A	277V = 1.02A	277V = 1.07A

ELECTRICAL DATA:

	MPALPRO-24L-LKFS-T3-UNC								
	Low Lumens			Mid Lumens			High Lumens		
	3000K	4000K	5000K	3000K	4000K	5000K	3000K	4000K	5000K
Lumens	13,690	14,765	14,335	20,219	22,312	21,049	24,196	26,737	24,925
Watts	99	96	100	153	149	155	192	183	193
Efficacy	139	154	143	132	150	135	126	146	129
Input Current (A)	277V = 0.36A	277V = 0.35A	277V = 0.36A	277V = 0.55A	277V = 0.54A	277V = 0.56A	277V = 0.69A	277V = 0.66A	277V = 0.70A
	347V = 0.26A	347V = 0.28A	347V = 0.29A	347V = 0.44A	347V = 0.43A	347V = 0.45A	347V = 0.55A	347V = 0.53A	347V = 0.56A
	480V = 0.21A	480V = 0.20A	480V = 0.21A	480V = 0.32A	480V = 0.31A	480V = 0.32A	480V = 0.40A	480V = 0.38A	480V = 0.40A

	MPALPRO-24L-LKFS-T5-UNC								
	Low Lumens			Mid Lumens			High Lumens		
	3000K	4000K	5000K	3000K	4000K	5000K	3000K	4000K	5000K
Lumens	13,916	14,870	14,480	20,405	22,381	21,093	24,505	26,840	25,382
Watts	98	95	99	152	147	153	192	183	193
Efficacy	142	157	147	134	153	138	128	147	131
Input Current (A)	277V = 0.35A	277V = 0.34A	277V = 0.36A	277V = 0.55A	277V = 0.53A	277V = 0.55A	277V = 0.69A	277V = 0.66A	277V = 0.70A
	347V = 0.28A	347V = 0.27A	347V = 0.29A	347V = 0.44A	347V = 0.42A	347V = 0.44A	347V = 0.55A	347V = 0.53A	347V = 0.56A
	480V = 0.20A	480V = 0.20A	480V = 0.21A	480V = 0.32A	480V = 0.31A	480V = 0.32A	480V = 0.40A	480V = 0.38A	480V = 0.40A

	MPALPRO-40L-LKFS-T3-UNC								
	Low Lumens			Mid Lumens			High Lumens		
	3000K	4000K	5000K	3000K	4000K	5000K	3000K	4000K	5000K
Lumens	28,485	31,402	29,907	33,629	36,449	35,047	39,660	43,432	40,963
Watts	203	198	202	246	236	246	297	283	296
Efficacy	140	159	148	137	154	142	133	154	138
Input Current (A)	277V = 0.73A	277V = 0.71A	277V = 0.73A	277V = 0.89A	277V = 0.85A	277V = 0.89A	277V = 1.07A	277V = 1.02A	277V = 1.07A
	347V = 0.59A	347V = 0.57A	347V = 0.58A	347V = 0.71A	347V = 0.68A	347V = 0.71A	347V = 0.86A	347V = 0.82A	347V = 0.85A
	480V = 0.42A	480V = 0.41A	480V = 0.42A	480V = 0.51A	480V = 0.49A	480V = 0.51A	480V = 0.62A	480V = 0.59A	480V = 0.62A

	MPALPRO-40L-LKFS-T5-UNC								
	Low Lumens			Mid Lumens			High Lumens		
	3000K	4000K	5000K	3000K	4000K	5000K	3000K	4000K	5000K
Lumens	28,731	31,840	30,214	33,918	36,884	35,416	39,890	44,057	41,651
Watts	202	197	202	246	235	246	302	283	299
Efficacy	142	161	150	138	157	144	132	156	139
Input Current (A)	277V = 0.73A	277V = 0.71A	277V = 0.73A	277V = 0.89A	277V = 0.85A	277V = 0.89A	277V = 1.09A	277V = 1.02A	277V = 1.08A
	347V = 0.58A	347V = 0.57A	347V = 0.58A	347V = 0.71A	347V = 0.68A	347V = 0.71A	347V = 0.87A	347V = 0.82A	347V = 0.86A
	480V = 0.42A	480V = 0.41A	480V = 0.42A	480V = 0.51A	480V = 0.49A	480V = 0.51A	480V = 0.63A	480V = 0.59A	480V = 0.62A