

PROJECT NAME:
NOTES:
PART NUMBER:
DATE:

LED FLOOD AREA LIGHT — SELECTABLE



PRODUCT DESCRIPTION:

Need to illuminate large outdoor areas? The TechBrite LED Flood Area Light Fixture is the perfect solution. The LED Flood Area Light Fixture features advanced designed optics for improved light utilization and evenness. With over 125 LPW, the LED Flood Area Light Fixture is well suited for many applications: roadways, industrial parking lots, residential areas, sidewalks, walkways, etc. Reduce energy and maintenance costs, while improving the appearance of any outdoor environment, with TechBrite's LED Flood Area Light Fixture.



FEATURES:

- Field Selectable CCT
- Die-cast Aluminum—Dark Bronze
- IP65/ Wet Location
- 4kV Input Surge
- Limited Warranty: 5 Years on Luminaire

ORDERING CHART:

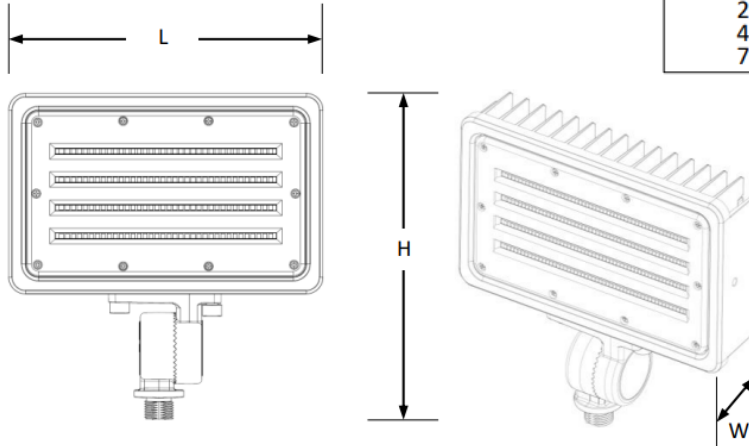
Series		Nominal Lumen Output		Select		Mounting Accessories (Order Separately)		
MPAL	Area Light	2L	2,000 lm 15w	KFS	3500K/ 4000K/ 5000K	MPAL-KFS-YKL	Yoke Mount, 4L & 7L	
		4L	4,000 lm 20w				MPOST17	Line Voltage Ground Stake
		7L	7,000 lm 49w					

SAMPLE PART NUMBER: MPAL-4L-KFS

LED Flood Area Light — Selectable

Commercial/Industrial

DIMENSIONS:



Model	Length (L)	Width (W)	Depth (H)	Weight
2L	4.3"	1.7"	5.8"	1 lbs.
4L	8.7"	1.9"	9"	4 lbs.
7L	8.7"	1.9"	9"	4 lbs.

2L

Front = 0.17 s.f.
Side = 0.07 s.f.
Face = 0.05 s.f.

4L & 7L

Front = 0.54 s.f. (knuckle) / 0.44 s.f. (yoke)
Side = 0.12 s.f. (knuckle) / 0.09 s.f. (yoke)
Face = 0.11 s.f. (knuckle) / 0.12 s.f. (yoke)

PERFORMANCE SPECIFICATION:

Lumens	3500/ 4000/ 5000K
Watts	15/ 30/ 49
LPW	145/ 156/ 147
CRI	>80
L70	L70 @ > 149,000 hrs
Max Ambient Temp	122° F
Min Ambient Temp	-40° F
Dimming	0-10v
IP Rating	IP65
Input Surge	4kV
Power Factor	>.90

*Actual Performance data for MPAL-KFS

ELECTRICAL DATA:

	MPAL-KFS								
	MPAL-2L			MPAL-4L			MPAL-7L		
	3000K	4000K	5000K	3000K	4000K	5000K	3000K	4000K	5000K
Lumens	2,002	2,179	2,085	4,436	4,696	4,526	6,601	7,170	6,884
Watts	16	15	16	31	30	31	52	49	51
Efficacy	125	145	132	142	156	145	126	147	134
Input Current (A)	120V = 0.13A	120V = 0.13A	120V = 0.13A	120V = 0.26A	120V = 0.25A	120V = 0.26A	120V = 0.43A	120V = 0.41A	120V = 0.43A
	240V = 0.07A	240V = 0.06A	240V = 0.07A	240V = 0.13A	240V = 0.13A	240V = 0.13A	240V = 0.22A	240V = 0.20A	240V = 0.21A
	277V = 0.06A	277V = 0.05A	277V = 0.06A	277V = 0.11A	277V = 0.11A	277V = 0.11A	277V = 0.19A	277V = 0.18A	277V = 0.18A