

PROJECT NAME:
NOTES:
PART NUMBER:
DATE:

LED ECONOMY WALL PACK —SELECTABLE



PRODUCT DESCRIPTION:

Improve your outdoor lighting environment and energy efficiency by 60% or more with TechBrite's LED Selectable Wall Pack. Designed with the contractor in mind, the TechBrite LED Selectable Wall Pack is lightweight, and contains well positioned mounting holes and convenient knockouts. The LED Selectable Wall Pack features a specially engineered lens to improve light utilization and provide an even distribution. The TechBrite LED Selectable Wall Pack features up to 145 LPW. Indoor or outdoor, the TechBrite LED Selectable Wall Pack is an important component to maximize energy, reduce maintenance, improve safety, and improve existing light levels.



FEATURES:

- Field Selectable CCT and Wattage
- Polycarbonate Lens
- Integral Photocell Standard
- 4kV Input Surge
- Cast Aluminum Housing—Dark Bronze
- Limited Warranty: 5 Years on Luminaire

ORDERING CHART:

Series		Nominal Lumen Output		Select	
WPE	Economy Selectable Wall Pack	3L	3,000 lm	LKFS	24/ 19/ 14 W 5000/ 4000/ 3000K

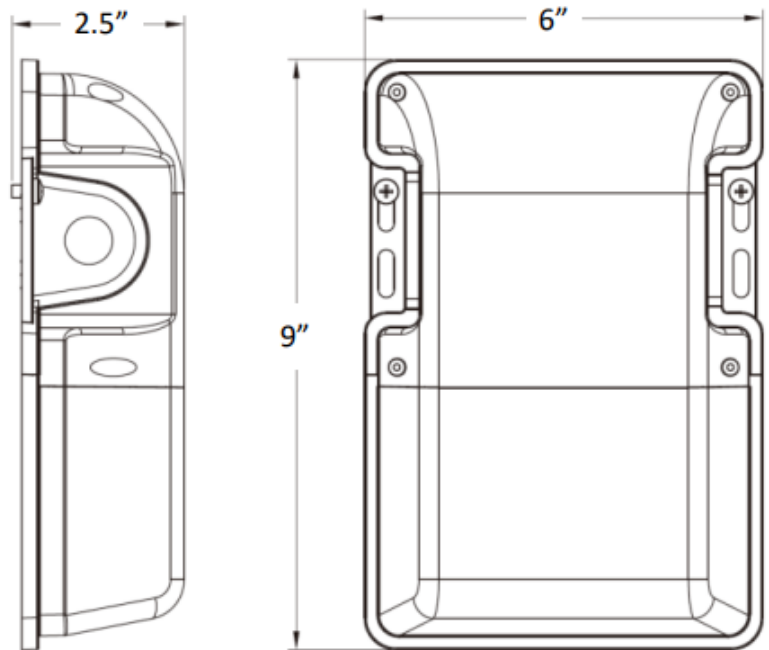
SAMPLE PART NUMBER: WPE-3L-LKFS

PERFORMANCE SPECIFICATION:

Lumens	3000/ 4000/ 5000K
Watts	14/ 19/ 24
LPW	145/ 143/ 140
CRI	> 80
L70	L70 @ > 156,000 hrs
L90	L90 @ > 47,000 hrs
Max Ambient Temp	122° F
Min Ambient Temp	-4° F
Dimming	0-10v Dimming
Input Surge	4kV
Power Factor	> 0.90

* Actual performance data for WPE-3L-LKFS

DIMENSIONS:



Weight: 1.5 lbs

ELECTRICAL DATA:

	WPE-3L-LKFS								
	Low Lumens			Mid Lumens			High Lumens		
	3000K	4000K	5000K	3000K	4000K	5000K	3000K	4000K	5000K
Lumens	1,939	2,090	2,105	2,496	2,709	2,711	3,070	3,327	3,325
Watts	15	14	15	19	19	19	24	24	24
Efficacy	132	145	143	129	143	140	126	140	137
Input Current (A)	120V = 0.13A	120V = 0.12A	120V = 0.13A	120V = 0.16A	120V = 0.16A	120V = 0.16A	120V = 0.20A	120V = 0.20A	120V = 0.20A
	240V = 0.06A	240V = 0.06A	240V = 0.06A	240V = 0.08A	240V = 0.08A	240V = 0.08A	240V = 0.10A	240V = 0.10A	240V = 0.10A
	277V = 0.05A	277V = 0.05A	277V = 0.05A	277V = 0.07A	277V = 0.07A	277V = 0.07A	277V = 0.09A	277V = 0.09A	277V = 0.09A