

PROJECT NAME:
NOTES:
PART NUMBER:
DATE:

LED FULL CUT OFF WALL PACK—SELECTABLE



PRODUCT DESCRIPTION:

Improve your outdoor lighting environment and energy efficiency by 60% or more with TechBrite’s LED Selectable Wall Pack. Designed with the contractor in mind, the TechBrite LED Selectable Wall Pack is lightweight, and contains well positioned mounting holes and convenient knockouts. The LED Selectable Wall Pack features a specially engineered lens to improve light utilization and provide an even distribution. The TechBrite LED Selectable Wall Pack features up to 160 LPW. Indoor or outdoor, the TechBrite LED Selectable Wall Pack is an important component to maximize energy, reduce maintenance, improve safety, and improve existing light levels.

FEATURES:

- Field Selectable CCT and Wattage
- Polycarbonate Lens
- Optional Photocell Available
- 4kV Input Surge
- Cast Aluminum Housing—Dark Bronze
- Limited Warranty: 5 Years on Luminaire

ORDERING CHART:

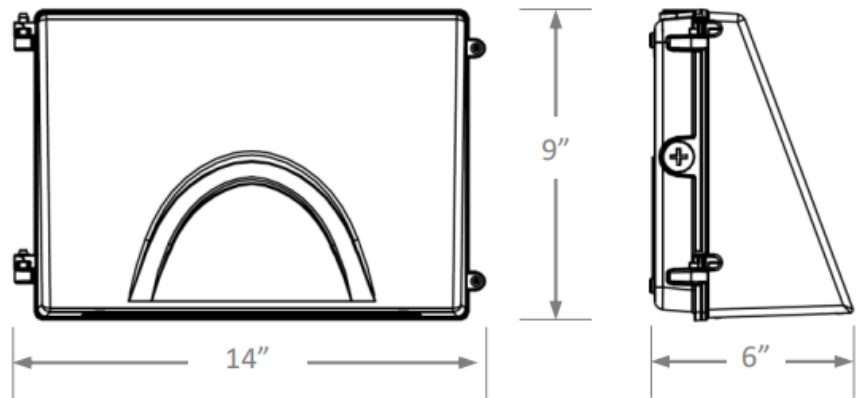
Series		Nominal Lumen Output		Select		Optional Photocell	
WPFC	Full Cut Off Selectable Wall Pack	8L	8,000 lm	LKFS	57/ 46/ 35 W 5000/ 4000/ 3000K	B	Button Photocell
		15L	15,000 lm		113/ 92/ 71 W 5000/ 4000/ 3000K	P	Pencil Photocell
						Blank	No Photocell

SAMPLE PART NUMBER: WPFC-8L-LKFS-P

PERFORMANCE SPECIFICATION:

Lumens	3000/ 4000/ 5000K
Watts	35/ 46/ 57
LPW	161/ 156/ 152
CRI	> 80
L70	L70 @ > 136,000 hrs
L90	L90 @ > 41,000 hrs
Max Ambient Temp	113° F
Min Ambient Temp	-40° F
Dimming	0-10v Dimming
Input Surge	4kV
Power Factor	> 0.90

DIMENSIONS:



Weight: 8L = 5 lbs / 15L = 5 lbs

* Actual performance data for WPFC-8L-LKFS

ELECTRICAL DATA:

	WPFC-8L-LKFS								
	Low Lumens			Mid Lumens			High Lumens		
	3000K	4000K	5000K	3000K	4000K	5000K	3000K	4000K	5000K
Lumens	5,251	5,526	5,722	6,659	7,048	7,198	7,877	8,682	8,552
Watts	36	35	36	48	46	48	59	57	59
Efficacy	145	161	158	139	156	151	133	152	144
Input Current (A)	120V = 0.30A	120V = 0.29A	120V = 0.30A	120V = 0.40A	120V = 0.38A	120V = 0.40A	120V = 0.49A	120V = 0.48A	120V = 0.49A
	240V = 0.15A	240V = 0.15A	240V = 0.15A	240V = 0.20A	240V = 0.19A	240V = 0.20A	240V = 0.25A	240V = 0.24A	240V = 0.25A
	277V = 0.13A	277V = 0.13A	277V = 0.13A	277V = 0.17A	277V = 0.17A	277V = 0.17A	277V = 0.21A	277V = 0.21A	277V = 0.21A

	WPFC-15L-LKFS								
	Low Lumens			Mid Lumens			High Lumens		
	3000K	4000K	5000K	3000K	4000K	5000K	3000K	4000K	5000K
Lumens	10,352	10,987	11,227	12,850	13,760	13,916	15,065	16,848	16,374
Watts	72	71	72	94	92	94	116	113	116
Efficacy	143	159	155	136	154	148	130	149	141
Input Current (A)	120V = 0.60A	120V = 0.59A	120V = 0.60A	120V = 0.78A	120V = 0.77A	120V = 0.78A	120V = 0.97A	120V = 0.94A	120V = 0.97A
	240V = 0.30A	240V = 0.30A	240V = 0.30A	240V = 0.39A	240V = 0.38A	240V = 0.39A	240V = 0.48A	240V = 0.47A	240V = 0.48A
	277V = 0.26A	277V = 0.26A	277V = 0.26A	277V = 0.34A	277V = 0.33A	277V = 0.34A	277V = 0.42A	277V = 0.41A	277V = 0.42A