

PROJECT NAME:
NOTES:
PART NUMBER:
DATE:

## LED WALL PACK— SELECTABLE



### PRODUCT DESCRIPTION:

Improve your outdoor lighting environment and energy efficiency by 60% or more with TechBrite's LED Selectable Wall Pack. Designed with the contractor in mind, the TechBrite LED Selectable Wall Pack is lightweight, and contains well positioned mounting holes and convenient knockouts. The LED Selectable Wall Pack features a specially engineered lens to improve light utilization and provide an even distribution. The TechBrite LED Selectable Wall Pack features up to 159 LPW. Indoor or outdoor, the TechBrite LED Selectable Wall Pack is an important component to maximize energy, reduce maintenance, improve safety, and improve existing light levels.



### FEATURES:

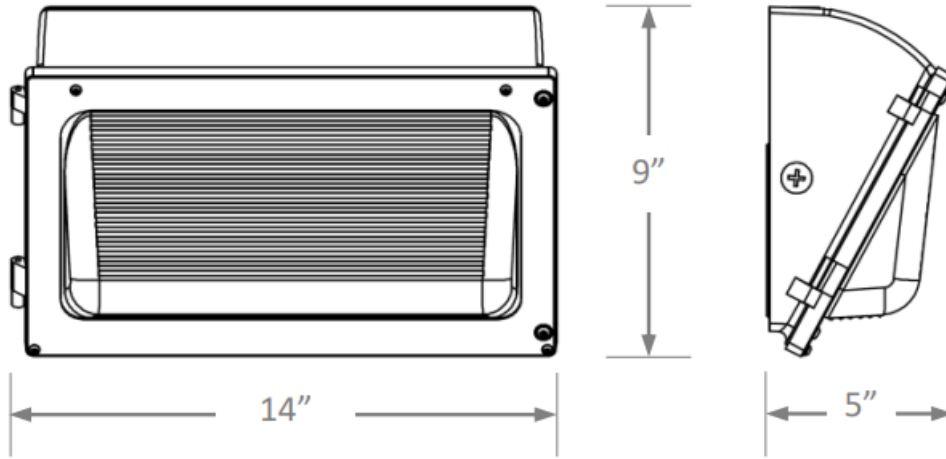
- Field Selectable CCT and Wattage
- Glass Lens
- 4kV Input Surge
- Cast Aluminum Housing—Dark Bronze
- Limited Warranty: 5 Years on Luminaire

### ORDERING CHART:

Series		Lumen Output		Select		Photocell (Optional)	
WPT	Selectable Wall Pack	7L	7,000 lm 5000K	LKFS	49/ 38/ 29 W 5000/ 4000/ 3000K	B	Button Photocell
		10L	10,000 lm 5000K	LKFS	74/ 57/ 42 W 5000/ 4000/ 3000K	P	Pencil Photocell
		15L	15,000 lm 5000K	LKFS	110/ 91/ 69 W 5000/ 4000/ 3000K	Blank	No Photocell

SAMPLE PART NUMBER: WPT-10L-LKFS-P

**DIMENSIONS:**



**Weight: 7L = 8 lbs / 10L = 8 lbs / 15L = 9 lbs**

**PERFORMANCE SPECIFICATION:**

Lumens	3000/ 4000/ 5000K
Watts	29/ 38/ 49
LPW	151/ 150/ 149
CRI	> 70
L70	L70 @ > 130,000 hrs
L90	L90 @ > 39,000 hrs
Max Ambient Temp	104° F*
Min Ambient Temp	-40° F
Dimming	0-10v Dimming
Input Surge	4kV
Power Factor	> 0.90

\* Actual performance data for WPT-7L-LKFS

\* Max ambient temperature for WPT-15L-LKFS = 34°C

## ELECTRICAL DATA:

	WPT-7L-LKFS								
	Low Lumens			Mid Lumens			High Lumens		
	3000K	4000K	5000K	3000K	4000K	5000K	3000K	4000K	5000K
<b>Lumens</b>	4,312	4,668	4,481	5,415	5,853	5,618	6,657	7,290	6,907
<b>Watts</b>	30	29	30	39	38	39	51	49	51
<b>Efficacy</b>	144	151	150	138	150	143	131	149	135
<b>Input Current (A)</b>	120V = 0.25A	120V = 0.24A	120V = 0.25A	120V = 0.33A	120V = 0.32A	120V = 0.33A	120V = 0.43A	120V = 0.41A	120V = 0.43A
	240V = 0.13A	240V = 0.12A	240V = 0.13A	240V = 0.16A	240V = 0.16A	240V = 0.16A	240V = 0.21A	240V = 0.20A	240V = 0.21A
	277V = 0.11A	277V = 0.10A	277V = 0.11A	277V = 0.14A	277V = 0.14A	277V = 0.14A	277V = 0.18A	277V = 0.18A	277V = 0.18A

	WPT-10L-LKFS								
	Low Lumens			Mid Lumens			High Lumens		
	3000K	4000K	5000K	3000K	4000K	5000K	3000K	4000K	5000K
<b>Lumens</b>	6,141	6,741	6,380	7,983	8,785	8,260	9,768	10,652	10,049
<b>Watts</b>	43	42	43	59	57	59	76	74	76
<b>Efficacy</b>	142	159	147	135	154	140	129	144	133
<b>Input Current (A)</b>	120V = 0.36A	120V = 0.35A	120V = 0.36A	120V = 0.49A	120V = 0.48A	120V = 0.49A	120V = 0.63A	120V = 0.62A	120V = 0.63A
	240V = 0.18A	240V = 0.18A	240V = 0.18A	240V = 0.25A	240V = 0.24A	240V = 0.25A	240V = 0.32A	240V = 0.31A	240V = 0.31A
	277V = 0.16A	277V = 0.15A	277V = 0.16A	277V = 0.21A	277V = 0.21A	277V = 0.21A	277V = 0.27A	277V = 0.27A	277V = 0.27A

	WPT-15L-LKFS								
	Low Lumens			Mid Lumens			High Lumens		
	3000K	4000K	5000K	3000K	4000K	5000K	3000K	4000K	5000K
<b>Lumens</b>	9,929	10,548	10,260	12,305	13,506	12,703	14,216	15,552	14,843
<b>Watts</b>	71	69	71	93	91	93	115	110	115
<b>Efficacy</b>	139	153	144	132	149	137	124	141	129
<b>Input Current (A)</b>	120V = 0.59A	120V = 0.58A	120V = 0.59A	120V = 0.78A	120V = 0.76A	120V = 0.78A	120V = 0.96A	120V = 0.92A	120V = 0.96A
	240V = 0.30A	240V = 0.29A	240V = 0.30A	240V = 0.39A	240V = 0.38A	240V = 0.39A	240V = 0.48A	240V = 0.46A	240V = 0.48A
	277V = 0.26A	277V = 0.25A	277V = 0.26A	277V = 0.34A	277V = 0.33A	277V = 0.34A	277V = 0.42A	277V = 0.40A	277V = 0.42A