

PROJECT NAME:
NOTES:
PART NUMBER:
DATE:

LED VAPORTITE— SELECTABLE



PRODUCT DESCRIPTION:

The perfect solution for harsh conditions, the TechBrite LED Vaportite Selectable is damp & wet listed. With an IP65 rating, the LED Vaportite Selectable is designed to minimize the retention of liquids or debris when hosed down. TechBrite's LED Vaportite Selectable meets or exceeds all applicable NSF/ ANSI sanitation requirements. The impact resistant acrylic lens is tough enough to withstand most impacts, while providing high light transmission.



FEATURES:

- Field Selectable CCT
- IP65 Rated & Sanitation/ NSF CSA Rated
- Multiple Mounting Options Available
- 1.0kV Input Surge
- ETL Sanitation Listed
- Polycarbonate Housing & Frosted Lens Standard
- 0-10v Dimming Standard
- Limited Warranty: 5 Years on Luminaire

ORDERING CHART:

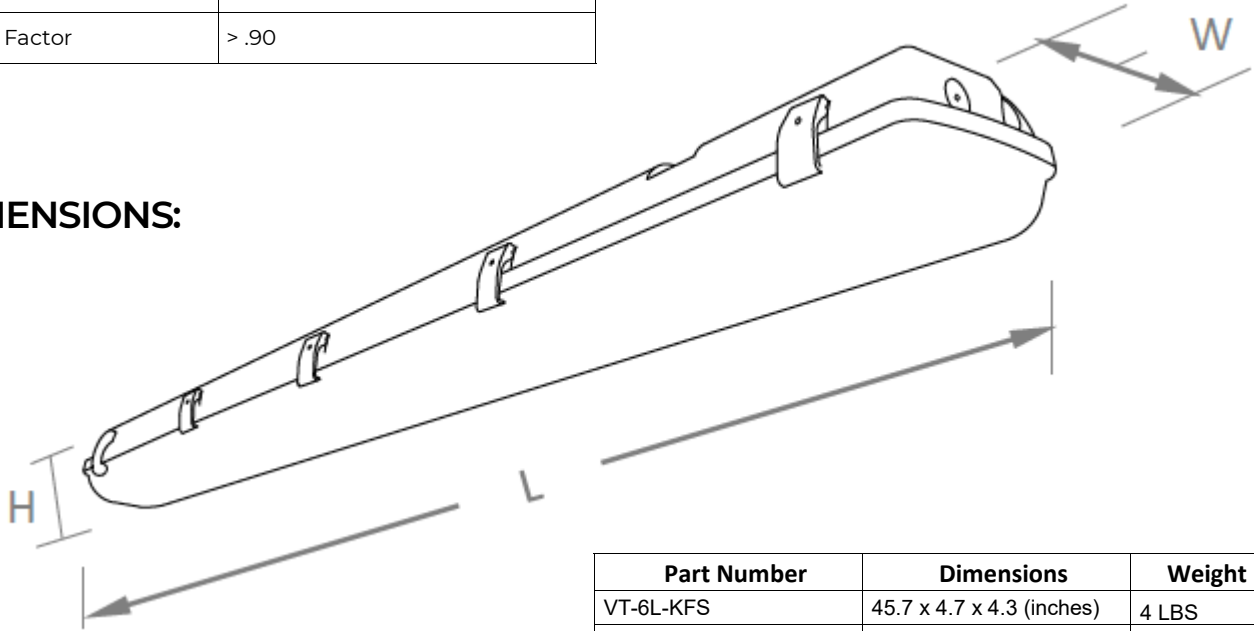
Series		Nominal Lumen Output		Select	
VT	Vaportite Selectable	6L	6,000 lm	KFS	42/ 93/ 141 W 3500/ 4000/ 5000 K
		14L	14,000 lm		
		20L	20,000 lm		

SAMPLE PART NUMBER: VT-14L-KFS

PERFORMANCE SPECIFICATION:

Lumens	3500/ 4000/ 5000K
Watts	42/ 93/ 141
LPW	148/ 156/ 152
CRI	>80
L70	L70 @ > 137,000 hrs
L90	L90 @ > 42,000 hrs
Max Ambient Temp	122° F
Min Ambient Temp	-4°F
Dimming	0-10v Dimming Standard
Input Surge	1.0kV
Power Factor	> .90

DIMENSIONS:



Part Number	Dimensions	Weight
VT-6L-KFS	45.7 x 4.7 x 4.3 (inches)	4 LBS
VT-14L-KFS	50 x 10 x 4.1 (inches)	13 LBS
VT-20L-KFS	50 x 10 x 4.1 (inches)	14 LBS

ELECTRICAL DATA:

	VT-6L-KFS			VT-14L-KFS			VT-20L-KFS		
	3500K	4000K	5000K	3500K	4000K	5000K	3500K	4000K	5000K
Lumens	5,965	6,256	6,105	13,673	14,327	13,956	20,380	21,447	20,590
Watts	44	42	44	99	93	99	150	141	150
Efficacy	136	148	138	137	156	141	136	152	137
Input Current (A)	120V = 0.37A	120V = 0.35A	120V = 0.37A	120V = 0.83A	120V = 0.78A	120V = 0.83A	120V = 1.25A	120V = 1.18A	120V = 1.25A
	240V = 0.18A	240V = 0.18A	240V = 0.18A	240V = 0.41A	240V = 0.39A	240V = 0.41A	240V = 0.63A	240V = 0.59A	240V = 0.63A
	277V = 0.16A	277V = 0.15A	277V = 0.16A	277V = 0.36A	277V = 0.34A	277V = 0.36A	277V = 0.54A	277V = 0.51A	277V = 0.54A