

PROJECT NAME:
NOTES:
PART NUMBER:
DATE:

LED VAPORTITE SLIM— SELECTABLE



PRODUCT DESCRIPTION:

The perfect solution for harsh conditions, the TechBrite LED Vaportite Slim is damp & wet listed. With an IP65 rating, the LED Vaportite Slim is designed to minimize the retention of liquids or debris when hosed down. TechBrite's LED Vaportite Slim meets or exceeds all applicable NSF/ANSI sanitation requirements. The impact resistant acrylic lens is tough enough to withstand most impacts, while providing high light transmission. Good looking and tough, TechBrite's LED Vaportite Slim is the Harrison Ford of the lighting industry.



FEATURES:

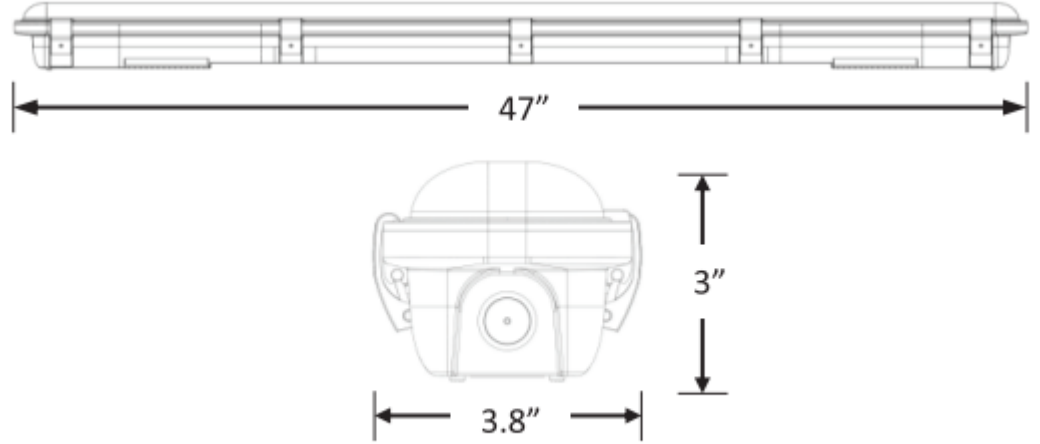
- Field Selectable CCT and Wattage
- IP65 Rated
- Stainless Steel Lens Clips
- Frosted Acrylic Ribbed Diffuser Reduces Pixelization
- Easy to Clean and Service
- Stainless Steel Mounting Brackets and V-hooks Included
- 0-10v Dimming Standard
- Limited Warranty: 5 Years on Luminaire

ORDER GUIDE:

Series		Nominal Lumen Output		Select		Optional Occupancy Sensor		Optional Emergency Drivers	
VTS	VaporSlim Selectable	7L	7,000 lm	LKFS	5181/ 6034/ 7381 lm 37/ 44/ 53w	ODS	Microwave	Blank	No Emergency Driver
						Blank	No Sensor	EM13	13w Emergency Driver
								EM10	10w Emergency Driver

SAMPLE PART NUMBER: VTS-7L-LKFS-EM13

DIMENSIONS:



Weight: 4.6 lbs.

PERFORMANCE SPECIFICATION:

Dimensions	47.7 x 7.1 x 2.8 (inches)
Weight	8 lbs
CRI	>80
L70	L70 @ > 187,000 hrs
L90	L90 @ > 57,000 hrs
Max Ambient Temp	109° F
Min Ambient Temp	-40°F
Dimming	0-10v Dimming Standard
Power Factor	>.90
Surge	2.5kV

*Actual performance data for VTS-7L-LKFS-ODS

ELECTRICAL DATA:

	Low Lumens			Mid Lumens			High Lumens		
	3500K	4000K	5000K	3500K	4000K	5000K	3500K	4000K	5000K
Lumens	5,157	5,303	5,181	6,009	6,198	6,034	7,295	7,611	7,381
Watts	37	36	37	44	43	44	53	51	53
Efficacy	138	146	139	135	144	136	138	149	140
Input Current (A)	120V = 0.31A	120V = 0.30A	120V = 0.31A	120V = 0.37A	120V = 0.36A	120V = 0.37A	120V = 0.44A	120V = 0.43A	120V = 0.44A
	240V = 0.15A	240V = 0.15A	240V = 0.15A	240V = 0.18A	240V = 0.18A	240V = 0.18A	240V = 0.22A	240V = 0.21A	240V = 0.22A
	277V = 0.13A	277V = 0.13A	277V = 0.13A	277V = 0.16A	277V = 0.16A	277V = 0.16A	277V = 0.19A	277V = 0.18A	277V = 0.19A