

PROJECT NAME:
NOTES:
PART NUMBER:
DATE:

LED CANOPY – SELECTABLE



PRODUCT DESCRIPTION:

This fixture is an ideal choice for modernizing any outdoor setting. TechBrite’s LED Canopy light features a high-quality, powder-coated finish designed to endure even the toughest conditions. The TechBrite LED Canopy Outdoor Fixture is suitable for parking lots, parking garages, entrances, walkways, and any other areas where enhanced lighting is necessary for safety or functionality.



FEATURES:

- Field Selectable CCT
- Die Cast Aluminum Housing
- IP65/ Wet location
- Optional Occupancy/Daylight Sensor
- Lens is IK08 Rated for Impact
- DLC Premium Approved for Fuel Pump and Parking Garage Categories
- Easy Installation in New Construction or Retrofit
- Surface and Pendant Mounting Available
- Polycarbonate Lens
- Limited Warranty: 5 Years on Luminaire

ORDERING CHART:

SAMPLE PART NUM: CP-10L-LKFS-ODS-WHT

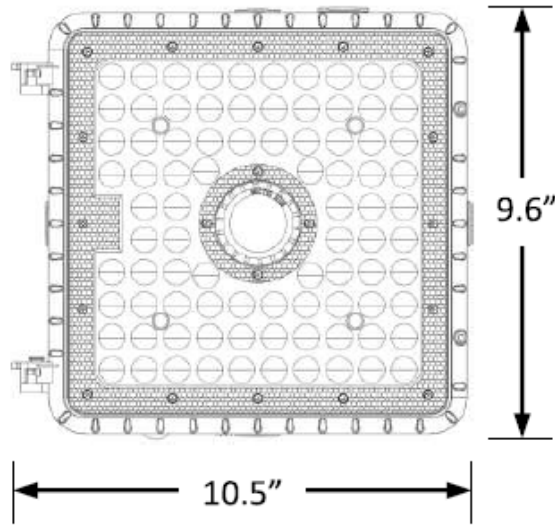
Series		Nominal Lumen Output		CCT		Occupancy Sensor		Housing Color		Accessories (Order Separately)	
CP	LED Canopy	10L	10,000/ 8,000/ 7,000	LKFS	3000K/ 4000K/ 5000K	ODS ²³	Microwave Occupancy, Dimming, & Daylight Sensor (Factory Installed)	BRZ	Bronze	MWAVEDHS-REM	Sensor Remote Control
						BLANK	No Sensor	WHT	White		

¹ Remote control required for programming (sold separately)

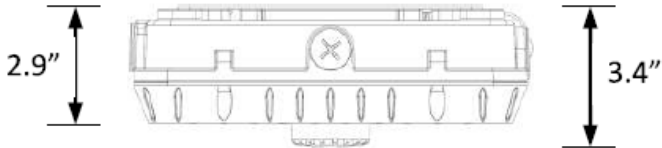
² Default sensor settings: detection area = 100%, hold time = 20 minutes, stand-by period = 0 seconds, stand-by dimming level = 10%, daylight threshold = disabled

³ Maximum mounting height = 49 feet

DIMENSIONS:



Weight: 5 lbs



PERFORMANCE SPECIFICATIONS:

Lumens	6,962/ 8,248/ 10,506
Watts	43/ 51/ 69
LPW	163/ 161/ 152
CRI	> 80
L70	149,000 hours
L90	44,000 hours
Max Ambient Temp	104°F
Min Ambient Temp	-40°F
Dimming	0-10 Standard
Input Surge	4kV
Power Factor	> 0.90

ELECTRICAL DATA:

	CP-10L-LKFS								
	Low Lumens			Mid Lumens			High Lumens		
	3000K	4000K	5000K	3000K	4000K	5000K	3000K	4000K	5000K
Lumens	6,821	6,962	7,228	7,800	8,248	8,312	9,297	10,506	9,967
Watts	48	43	47	57	51	57	73	69	73
Efficacy	143	163	152	137	161	147	127	152	136
Input Current (A)	120V = 0.40A	120V = 0.36A	120V = 0.39A	120V = 0.48A	120V = 0.43A	120V = 0.48A	120V = 0.61A	120V = 0.58A	120V = 0.61A
	240V = 0.20A	240V = 0.18A	240V = 0.20A	240V = 0.24A	240V = 0.21A	240V = 0.24A	240V = 0.30A	240V = 0.29A	240V = 0.30A
	277V = 0.17A	277V = 0.16A	277V = 0.17A	277V = 0.21A	277V = 0.18A	277V = 0.21A	277V = 0.26A	277V = 0.25A	277V = 0.26A