

PROJECT NAME:
NOTES:
PART NUMBER:
DATE:

LINEAR HIGH BAY— SELECTABLE



PRODUCT DESCRIPTION:

The LED Selectable Linear High Bay is an economical solution for any high bay application. With LPW higher than 145 across all settings, the TechBrite Linear High Bay is a top seller. TechBrite's LED Selectable Linear High Bay is easy to upgrade with an occupancy sensor and emergency backup system. Multiple lumen configurations provide a lumen range between 12,000 and 60,000 lumens. The design is compact, yet large enough to allow for a wide variety of features. The LED Selectable Linear High Bay is an economical choice for retrofit or new construction.

FEATURES:

- Field Selectable CCT and Wattage
- V-hook & 3 ft Chain-mount Included
- Medium Distribution is Standard with Optional Narrow or Wide Distribution Lens
- Optional Emergency Driver Available
- L70 > 130,000 hrs
- 0-10v Dimming Standard
- Wire Guards Available
- Screw in Sensor Ready
- 347-480v Available
- Limited Warranty: 5 Years on Luminaire

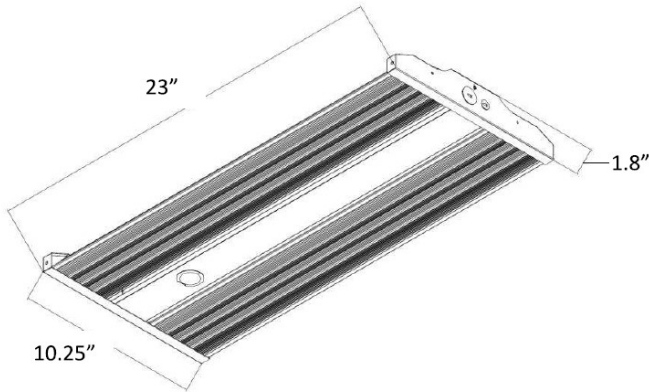
ORDERING GUIDE:

Series		Nominal Lumen Output		Selectable CCT		Input Voltage		Lens Distribution		Emergency Driver	
HBLSR	High Bay Linear Sensor Ready	181512L	18,000/ 15,000/ 12,000	4K5K	4000 / 5000 CCT	UNC	347-480v	ND	Narrow	EM25	25W
		241815L	24,000/ 18,000/ 15,000			Blank	120-277v	WD	Wide	Blank	No EM
		363024L	36,000/ 30,000/ 24,000					Blank	Medium		
		604836L	60,000/ 48,000/ 36,000								

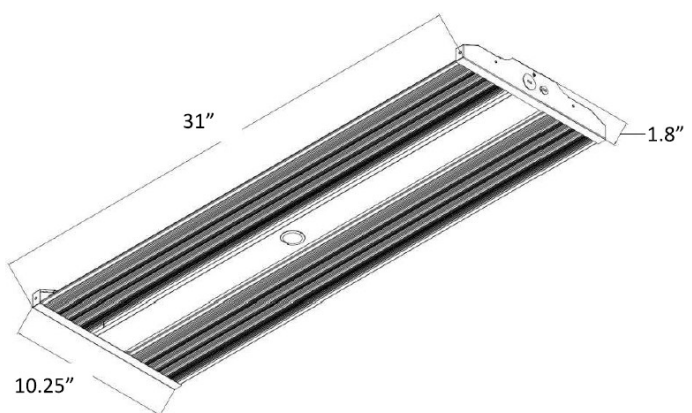
DIMENSIONS:

Model	Size (inches) & Weight (lbs)			
	L	W	H	Weight
HBLSR-181512L-4K5K	16.5	10.25	1.8	4.6
HBLSR-241815L-4K5K	23	10.25	1.8	7
HBLSR-363024L-4K5K	31	10.25	1.8	9.5
HBLSR-604836L-4K5K	44	10.25	1.8	12

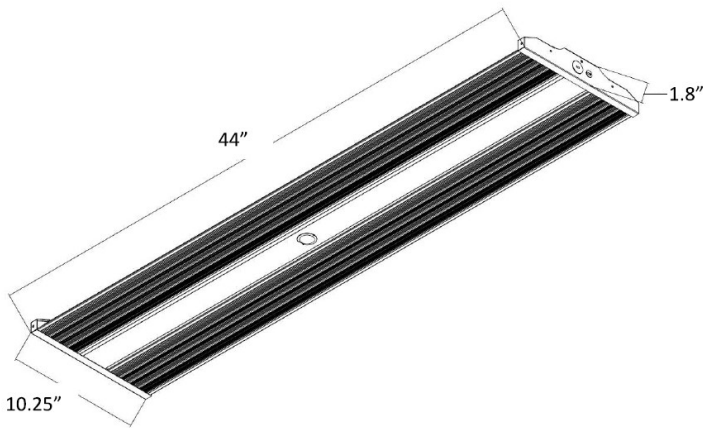
HBLSR-241815L-4K5K



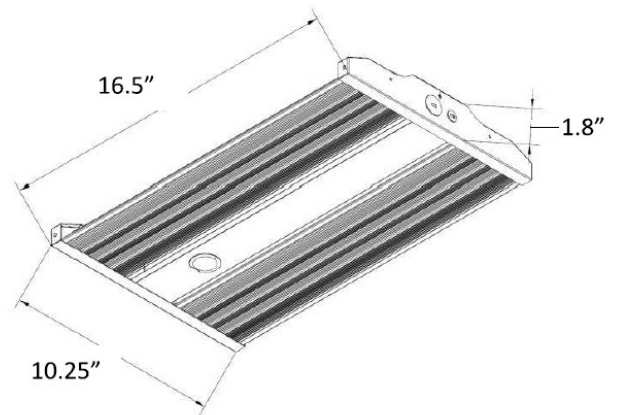
HBLSR-363024L-4K5K



HBLSR-604836L-4K5K



HBLSR-181512L-4K5K



PERFORMANCE SPECIFICATION:

CRI	>80
L70	L70 @ > 134,000 hrs
L90	L90 @ > 40,000 hrs
Max Ambient Temp	122° F (131° F for HB-181512L)
Min Ambient Temp	-40° F
Input Surge	6kV
Power Factor	>.90

DLC	Premium—medium distribution Standard—narrow & wide distribution
-----	--

ELECTRICAL DATA:

HBLSR-181512L-4K5K	Low Lumens		Mid Lumens		High Lumens	
	4000K	5000K	4000K	5000K	4000K	5000K
Lumens	12,007	12,307	14,555	15,071	18,085	18,421
Watts	76	77	96	98	120	123
Efficacy	158	159	152	154	150	150
Input Current (A)	120V = 0.63A	120V = 0.64A	120V = 0.80A	120V = 0.82A	120V = 1.00A	120V = 1.03A
	240V = 0.32A	240V = 0.32A	240V = 0.40A	240V = 0.41A	240V = 0.50A	240V = 0.51A
	277V = 0.27A	277V = 0.28A	277V = 0.35A	277V = 0.35A	277V = 0.43A	277V = 0.44A

HBLSR-241815L-4K5K	Low Lumens		Mid Lumens		High Lumens	
	4000K	5000K	4000K	5000K	4000K	5000K
Lumens	15,021	15,557	18,017	18,477	24,047	24,241
Watts	94	96	115	117	158	158
Efficacy	159	162	157	158	152	153
Input Current (A)	120V = 0.78A	120V = 0.80A	120V = 0.96A	120V = 0.98A	120V = 1.32A	120V = 1.32A
	240V = 0.39A	240V = 0.40A	240V = 0.48A	240V = 0.49A	240V = 0.66A	240V = 0.66A
	277V = 0.34A	277V = 0.35A	277V = 0.42A	277V = 0.42A	277V = 0.57A	277V = 0.57A

HBLSR-363024L-4K5K	Low Lumens		Mid Lumens		High Lumens	
	4000K	5000K	4000K	5000K	4000K	5000K
Lumens	24,049	24,854	30,037	30,299	35,517	36,076
Watts	152	155	193	197	237	242
Efficacy	158	160	156	154	150	149
Input Current (A)	120V = 1.27A	120V = 1.29A	120V = 1.61A	120V = 1.64A	120V = 1.98A	120V = 2.02A
	240V = 0.63A	240V = 0.65A	240V = 0.80A	240V = 0.82A	240V = 0.99A	240V = 1.01A
	277V = 0.55A	277V = 0.56A	277V = 0.70A	277V = 0.71A	277V = 0.86A	277V = 0.87A

HBLSR-604836L-4K5K	Low Lumens		Mid Lumens		High Lumens	
	4000K	5000K	4000K	5000K	4000K	5000K
Lumens	37,049	38,465	48,182	49,009	60,104	61,319
Watts	236	241	312	317	404	412
Efficacy	157	160	154	155	149	149
Input Current (A)	120V = 1.97A	120V = 2.01A	120V = 2.60A	120V = 2.64A	120V = 3.37A	120V = 3.43A
	240V = 0.98A	240V = 1.00A	240V = 1.30A	240V = 1.32A	240V = 1.68A	240V = 1.72A
	277V = 0.85A	277V = 0.87A	277V = 1.13A	277V = 1.14A	277V = 1.46A	277V = 1.49A

ACCESSORIES (ORDER SEPARATELY):

SENSOR:	
HD07VR-PH-1:	Passive infrared sensor - maximum mounting height = 39 FT, factory settings: detection area = 100%, hold time = 5 sec, stand-by period = 0 sec, stand-by dimming level = 10%, daylight threshold = disabled
HD07VR-MH-B-1:	Microwave step-dimming sensor - maximum mounting height = 49 FT, factory settings: detection area = 100%, hold time = 5 sec, stand-by period = 0 sec, stand-by dimming level = 10%, daylight threshold = disabled
HD05R:	Remote control for HD07VR-PH-1 & HD07VR-MH-B-1 (required to change factory settings)

LENS:	
HBLSR-LENS-181512L-ND:	Narrow distribution lens for HBLSR-181512L-4K5K
HBLSR-LENS-241815L-ND:	Narrow distribution lens for HBLSR-241815L-4K5K
HBLSR-LENS-363024L-ND:	Narrow distribution lens for HBLSR-363024L-4K5K
HBLSR-LENS-604836L-ND:	Narrow distribution lens for HBLSR-604836L-4K5K
HBLSR-LENS-181512L-MD:	Medium distribution lens for HBLSR-181512L-4K5K (ships with luminaire standard)
HBLSR-LENS-241815L-MD:	Medium distribution lens for HBLSR-241815L-4K5K (ships with luminaire standard)
HBLSR-LENS-363024L-MD:	Medium distribution lens for HBLSR-363024L-4K5K (ships with luminaire standard)
HBLSR-LENS-604836L-MD:	Medium distribution lens for HBLSR-604836L-4K5K (ships with luminaire standard)
HBLSR-LENS-181512L-WD:	Wide distribution lens for HBLSR-181512L-4K5K
HBLSR-LENS-241815L-WD:	Wide distribution lens for HBLSR-241815L-4K5K
HBLSR-LENS-363024L-WD:	Wide distribution lens for HBLSR-363024L-4K5K

WIRE GUARD:	
HBLSR-WG-181512L:	Wire guard kit for HBLSR-181512L-4K5K
HBLSR-WG-241815L:	Wire guard kit for HBLSR-241815L-4K5K
HBLSR-WG-363024L:	Wire guard kit for HBLSR-363024L-4K5K
HBLSR-WG-604836L:	Wire guard kit for HBLSR-604836L-4K5K

MOUNTING OPTIONS:	
HBLSR-SMK:	Surface mount kit for HBLSR - all models (not compatible with UNC or EM25 options)
HBLSR-PMK:	Pendant mount for HBLSR - all models (not compatible with UNC or EM25 options)
LEDFHB-CMK3:	Cable mount kit, 3 meters long - all models
LEDFHB-CMK5:	Cable mount kit, 5 meters long - all models