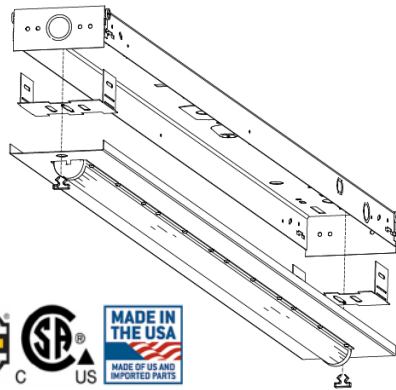




SOTA RETRO LED



PRODUCT DESCRIPTION:

The SOTA Retro LED is the quick, easy, and economical way to modernize any commercial and industrial space. TechBrite's SOTA Retro LED combines quality boards and drivers to attain 165 LPW in some models. The SOTA Retro LED is easily customizable with sensors, wireless controls, cords, hanging kits—just to mention a few. **BAA Compliant**

FEATURES:

- Wireless control ready
- Surface or suspended mount
- 0-10v Dimming standard
- Limited warranty: 5 years on luminaire

APPLICATIONS:

- Warehouses/ Industrial/ Commercial
- Retail/ Offices
- Retrofit existing strip fixtures
- Schools
- Offices

ORDER GUIDE:

Series	Length	Width	Type	Line Voltage	Reflector	Color Temp	Lumens/ Watts/ LPW 4000K w/ lens	Options								
FOUR FOOT																
SLR	SOTA Retro	4	4 Foot	4	4.25"	SS	LED	1	Universal	B	Ballast Cover	50	5000K	A	2440LM/ 20W/ 133LPW	L000 (lens) 0000 (no lens) Please see Accessories Guide in front of catalog
										X	No Ballast Cover	40	4000K	B	3320LM/ 28W/ 129LPW	
												30	3000K	C	4920LM/ 41W/ 120LPW	
														D	5690LM/ 49W/ 116LPW	
														E	6390LM/ 59W/ 108LPW	
EIGHT FOOT																
SLR	SOTA Retro	8	8 Foot	4	4.25"	SS	LED	1	Universal	B	Ballast Cover	50	5000K	A	3770LM/ 28W/ 135LPW	L000 (lens) 0000 (no lens) Please see Accessories Guide in front of catalog
										X	No Ballast Cover	40	4000K	B	5570LM/ 41W/ 136LPW	
												30	3000K	C	7250LM/ 56W/ 129LPW	
														D	9020LM/ 72W/ 125LPW	
														E	11020LM/ 92W/ 120LPW	