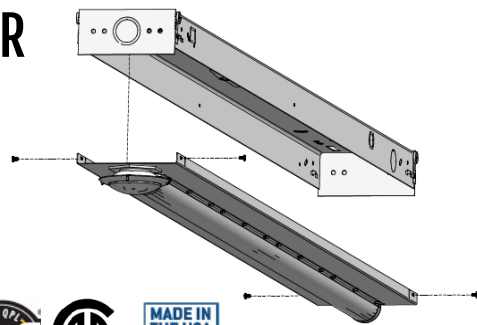




## LED SOTA RETRO – WITH SENSOR



### PRODUCT DESCRIPTION:

The SOTA Retro LED with integral sensor is the quick, easy, and economical way to modernize any commercial and industrial space. TechBrite's SOTA Retro LED combines quality boards and drivers to attain 165 LPW in some models. The SOTA Retro LED is easily customizable with wireless controls, cords, hanging kits—just to mention a few. **BAA Compliant**

### FEATURES:

- Wireless control ready
- Surface or suspended mount
- 0-10v Dimming standard
- Limited warranty: 5 years on luminaire

### APPLICATIONS:

- Warehouses/ Industrial/ Commercial
- Retail/ Offices
- Retrofit existing strip fixtures
- Schools

### ORDER GUIDE:

Series	Length	Width	Type	Line Voltage	Reflector	Color Temp	Lumens/ Watts/ LPW (4000K w/ lens)	Options								
<b>FOUR FOOT</b>																
SLR	SOTA Retro	4	4 Foot	4	4.25"	SS	LED	1	Universal (120/277)	B	Ballast Cover	50	5000K	A	2440LM/ 20W/ 133LPW	<b>L00F (lens w/ sensor)</b> <b>000F (no lens w/ sensor)</b> Please see Accessories Guide in front of catalog
												40	4000K	B	3320LM/ 28W/ 129LPW	
												30	3000K	C	4920LM/ 41W/ 120LPW	
														D	5690LM/ 49W/ 116LPW	
														E	6390LM/ 59W/ 108LPW	
<b>EIGHT FOOT</b>																
SLR	SOTA Retro	8	8 Foot	4	4.25"	SS	LED	1	Universal (120/277)	B	Ballast Cover	50	5000K	A	3770LM/ 28W/ 135LPW	<b>L00F (lens w/ sensor)</b> <b>000F (no lens w/ sensor)</b> Please see Accessories Guide in front of catalog
												40	4000K	B	5570LM/ 41W/ 136LPW	
												30	3000K	C	7250LM/ 56W/ 129LPW	
														D	9020LM/ 72W/ 125LPW	
														E	11020LM/ 92W/ 120LPW	